

pci



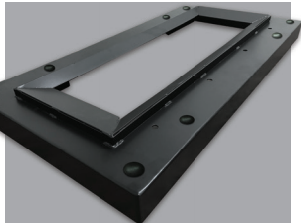
SINGLE & DOUBLE WALL
TANK SUMPS



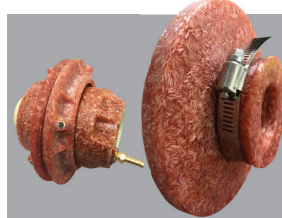
SINGLE & DOUBLE WALL
TRANSITION SUMPS



SINGLE & DOUBLE WALL
DISPENSER SUMPS



UNIVERSAL CONVERSION
FRAMES & PLATES



NEW CONSTRUCTION & REPAIR
PENETRATION FITTINGS

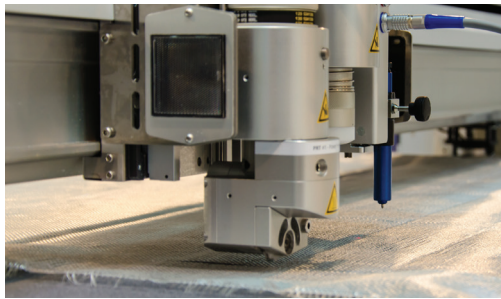


TWIST-LOK LIDS &
TANK COLLARS

PRODUCT CATALOG



ABOUT PCI



PCI manufactures the most watertight secondary containment sumps in the industry. We offer an extensive line of fiberglass tank sumps, dispenser sumps, transition sumps, double wall sumps and fiberglass penetration fittings.

All of our tank sumps utilize our innovative 'Twist-Lok' Access Cover to ensure a watertight seal while providing quick and easy access. We also have a complete line of dispenser sumps for almost every make and model dispenser on the market. This catalog is a great source of information, but if you have any questions - please call; we have an experienced staff here to assist you.

ABOUT THIS CATALOG

The following logos are used throughout this catalog to indicate products that include these proprietary PCI features. These intentionally developed features separate PCI's product from anyone else in the industry.



'BRITE-WHITE' INTERIOR

Our signature 'Brite-White' interior reflects light for better visibility and makes identifying leak points easier.



CLEAR MAGIC

Clear Magic, our proprietary three-part fiberglass adhesive, creates a permanent, watertight seal on polyethylene sumps or piping.



TWIST-LOK ACCESS COVER

PCI's Twist-Lok 12-Point Access Cover offers the most dependable watertight protection without using tools or hardware.



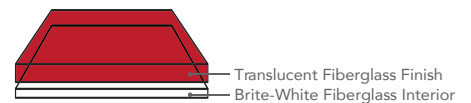
DUO-MOLDED TECHNOLOGY

Our fiberglass sumps utilizes **Duo-Molded Technology**. Using premium raw materials with a high glass content, we create two layers of fiberglass, offering superior strength and fuel resistance.



PRE-PLUMB SERVICE

PCI's Dispenser Sumps are available with completely customizable pre-plumb service built to customer's specifications. Our pre-plumb dispenser sumps include all internal piping from the shear valve to penetration, eliminating the need for any additional field labor.



POPULAR PRODUCT

TABLE OF CONTENTS



TANK SUMPS

4200 Series	6
PCM4200 Series	8
4500 Series	10
4800 Series	12
PCM4800	14
TSA - Tank Sump Adapter	16
Tank Collars	17



TRANSITION SUMPS

TSM Series	18
TS (Grade Level)	20
Tank Sump Reference Chart	22



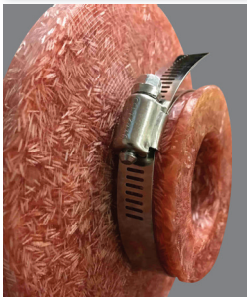
DISPENSER SUMPS

Pre-Plumbed Dispenser Sump Service	24
RSC Series	26
DP Series	28
CLE / CLS Series	30
DCL Series	32
DEF Series	34



DOUBLE WALL SUMPS

Double Wall Tank Sumps	36
Double Wall Transition Sumps	38
Double Wall Dispenser Sumps	40



PENETRATION FITTINGS

FRP - New Construction Fitting	43
TPP - New Construction Fitting	44
TPT - New Construction Fitting	45
SRB - Repair Fitting	46
BSO - Repair Fitting	48
STF - New Construction or Repair Fitting	49



ACCESSORIES

Adhesives - EP2A & Clear Magic	50
Dispenser Conversion Kits	51
Twist-Lok Lids & Retrofit Kits	52
Bonding Kits & Replacement Parts	54
EV Expansion Boxes	55

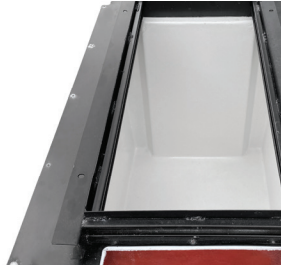


FLAGSHIP PRODUCTS



'BRITE-WHITE' INTERIOR

All of PCI sumps contain our signature 'Brite-White' interior. This involves a two-step production process but results in a clean white interior which reflects light for better visibility and makes identifying leak points and service work easier.

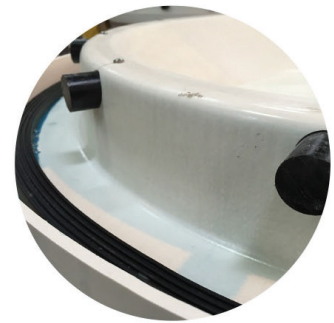


TWIST-LOK ACCESS COVER

PCI's tank sumps and TSM transition sumps come standard with our Twist-Lok 12-Point Access Cover. Its injection molded fiberglass construction and 12 points of contact offer the most dependable watertight protection. The covers raised, rounded surface keeps dirt and debris from interfering with the seal between the lid and collar.

Our Twist-Lok Lid is also available for retrofit kits, to permanently **fix leaking sump lids without breaking concrete.**

An optional 4" inspection port is also available as an add-on to allow for quick inspection without removing the entire cover.



REGULATORY

UL® Listed 2447

California Code of Regulation Title 23, Division 3, Chapter 16, Section 2631 (AB 2481/ California VPH)

State of Florida Department of Environmental Protection Approved / Registered Storage Tank System: EQ-203



TANK & TRANSITION FIBERGLASS SUMPS

The following features are standard on all PCI fiberglass sumps. We continually look to innovate and engineer products that truly exceed secondary containment standards. We pride ourselves on engineering with intent to provide the highest quality and value while ensuring a permanent solution that helps ensure smooth installation and service.



THE PCI DIFFERENCE



100% FIBERGLASS

100% high quality, non-corrosive fiberglass provides long-term reliable containment from fuel exposure without voiding warranty, warping, cracking or becoming brittle.



DUO-MOLDED TECHNOLOGY

Our fiberglass sumps utilize Duo-Molded Technology. Using premium raw materials with a high glass content, we create two layers of fiberglass, offering superior strength and fuel resistance.



'BRITE-WHITE' INTERIOR

Our signature 'Brite-White' interior reflects light for better visibility and makes identifying leak points easier.



Translucent Fiberglass Finish
Brite-White Fiberglass Interior



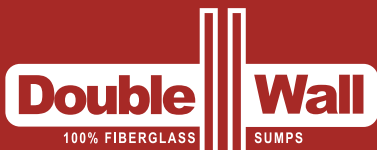
PERMANENT BOND

We've engineered our products to be the most efficient to install without losing any of the water-tight quality. Our two-piece tank and transition sumps are permanently bonded in the field with a simple epoxy pour.



TWIST-LOK ACCESS COVER

PCI's tank sumps and below grade transition sumps come standard with the latest generation of our innovative 'Twist-Lok' Access Cover. Constructed from injection molded fiberglass, Twist-Lok lids provide a watertight seal with a quick and easy 12° turn.



OPTIONS AVAILABLE



4200 SERIES - SOLID BOTTOM TANK SUMPS

The 4200 Series Tank Sump is a cost-effective fiberglass alternative to polyethylene tank sumps. Fiberglass construction guarantees long-term reliability without deforming or cracking.

NESTABLE

Multiple sumps can be stacked and nested together to significantly reduce shipping costs by storing more sumps on less pallets.

RETROFIT INSTALLATION

Available in most common size for retrofit applications.

OCTAGON BASE

The octagon base provides flat sealing surfaces for 45° and 90° penetrations.



PC4250-3B1



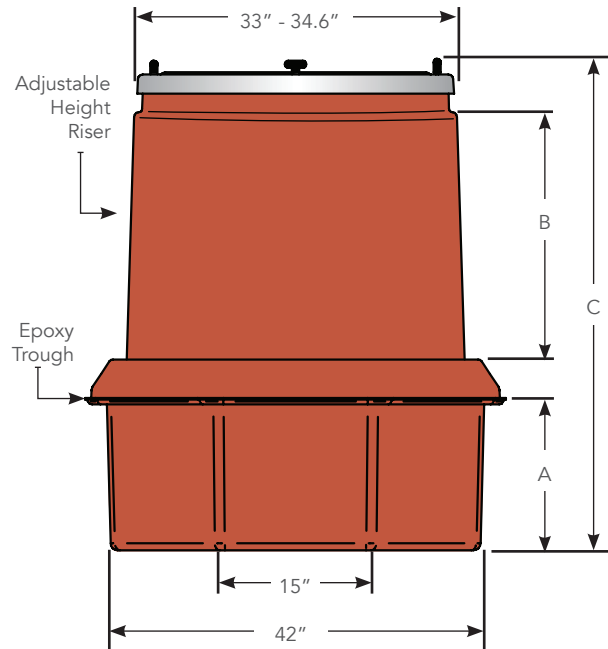
PC4240-3B1



INSPECTION PORT

Optional 4" inspection port allows quick and easy inspection without removing entire cover. IP4000-1





PRODUCT SIZES

Part No.	Base Height (A)	Adjustable Height (B)	Overall Height (C)
PC4230	15"	10"	24" - 30"
PC4240	15"	19"	29" - 39"
PC4250	15"	31"	29" - 51"

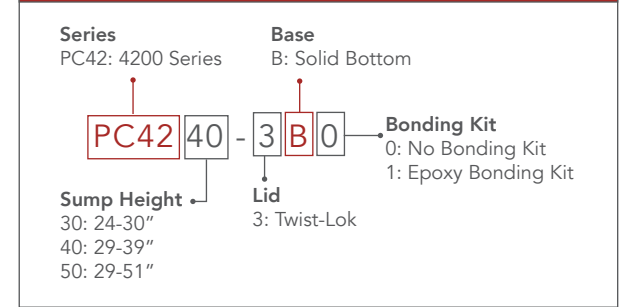
Options (Example: PC42XX-XXX)

-3B0	Twist-Lok Lid, No Bonding Kit
-3B1	Twist-Lok Lid, Epoxy Bonding Kit

Accessories

TSA400	4" Tank Fitting (page 16)	11.1" OD
Optimum lid height is 4" below manhole cover		
Note: Not for use with 42" Tank Collar		

PART NUMBER LEGEND





PCM4200 SERIES - COLLAR MOUNT TANK SUMPS

Mounting a tank sump on a collar is the most highly recommended method of installation, and PCI's PCM Series is the most economically sized tank sump to get the job done. The PCM4200 series is engineered with the same features and benefits as its larger counterparts.

COST-EFFECTIVE

Without compromising quality or functionality, the PCM4200 Series is the most affordable fiberglass sump of its kind on the market and reduces overall installation costs.

OCTAGON BASE

The octagon base provides flat sealing surfaces for 45° and 90° penetrations, allowing for a faster installation using standard penetration and pipe fittings.

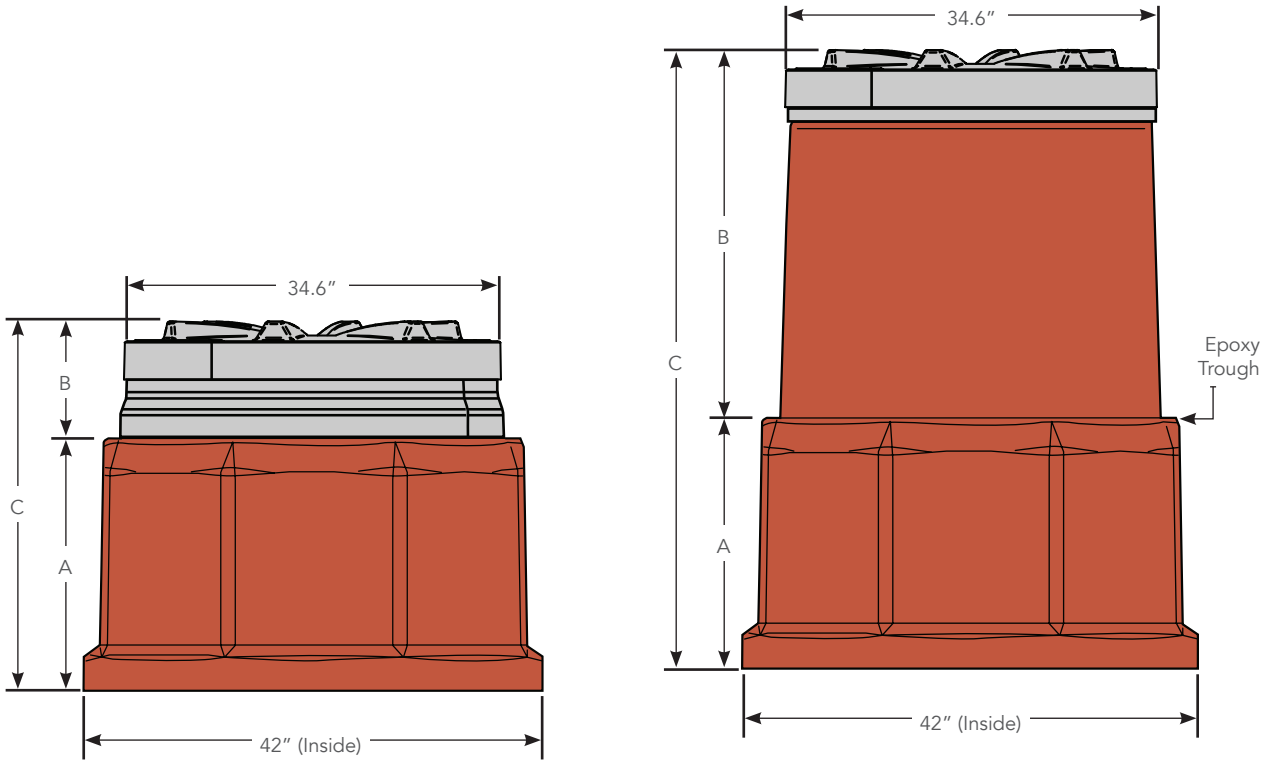


PCM4248-3C0



INSPECTION PORT

Optional 4" inspection port allows quick and easy inspection without removing entire cover. IP4000-1



PRODUCT SIZES

Part No.	Base Height (A)	Adjustable Height (B)	Overall Height (C)
PCM4233	23"	6" - 10"	29" - 33"
PCM4248	23"	7" - 25"	30" - 48"
PCM4255	23"	7" - 32"	30" - 55"

Options (Example: PCM42XX-XXX)

-3C0	42" Collar Mount, No Bonding Kit
-3C2	42" Collar Mount, (x2) E148CM Epoxy Kits Optimum lid height is 4" below manhole cover

PART NUMBER LEGEND

Series
PCM42: PCM4200

Base
C: 42" Collar Mount

PCM42 **33** - **3** **C** **0**

Bonding Kit
0: No Bonding Kit
2: (x2) E148 Epoxy Kits

Lid
3: Twist-Lok

Sump Height
33: 29-33"
48: 30-48"
55: 30-55"



HOT

**4500 SERIES
TANK SUMPS**

In addition to being the only 45" tank sump in the marketplace, the 4500 is also PCI's most popular and versatile tank sump. Our 4500 Series tank sumps are constructed of 100% fiberglass and offer long-term reliability without deforming or cracking. This provides one sump that works for all single STP applications. Exposure to fuel will never void our warranty.



UNIVERSAL BASE

A rigid 12-sided sump base that can be used on a 42" UST collar, manway, or bung adapter. Smooth flat panels are easy to drill and provide leak-tight sealing surface for penetration fittings. Can be factory cut.



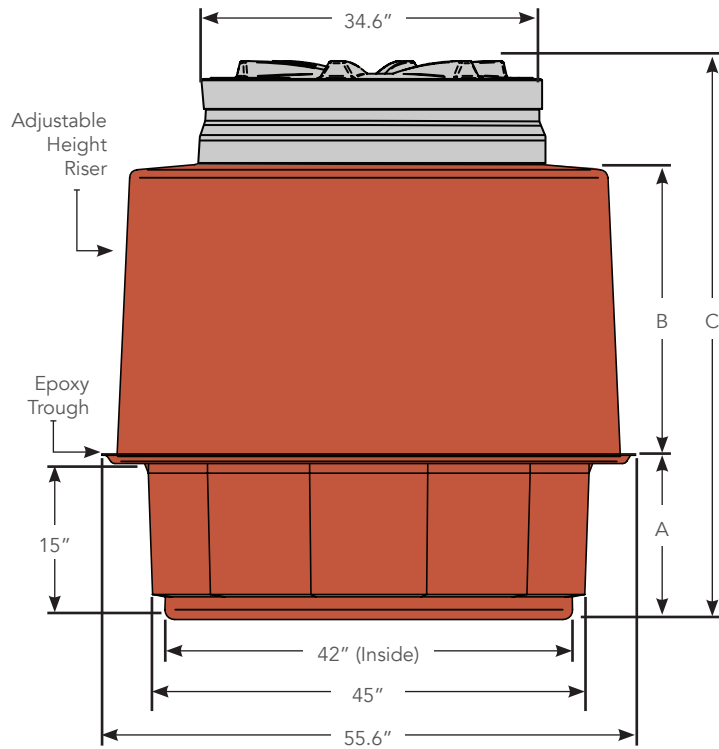
PC4560U

PC4540U



INSPECTION PORT

Optional 4" inspection port allows quick and easy inspection without removing entire cover. IP4000-1



PRODUCT SIZES*

Part No.	Base Height (A)	Adjustable Height (B)	Overall Height (C)
PC4540U	17"	0" - 8"	30" - 38"
PC4550U	17"	0" - 18"	30" - 48"
PC4560U	17"	0" - 28"	30" - 58"

Options (Example: PC45XXU-3XX)

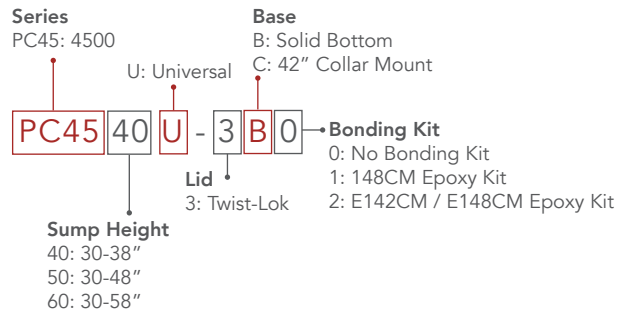
-3B0	Solid Bottom, No Bonding Kit
-3B1	Solid Bottom, E148CM Epoxy Kit
-3B2	Solid Bottom, E142CM / E148CM Epoxy Kit
-3C0	42" Collar Mount, No Bonding Kit**
-3C2	42" Collar Mount, E142CM / E148CM Epoxy Kit**

Optimum lid height is 4" below manhole cover

* Dimensions are based on Solid Bottom sumps only

** Subtract 1" if mounting to a 42" tank collar

PART NUMBER LEGEND





4800 SERIES TANK SUMPS

The 4800 Series fiberglass tank sump is the largest piping sump in the industry. Designed to accommodate dual STP systems for all types of installations including collar mount, bung mount and manways.



UNIVERSAL BASE

Collar mount, solid bottom and universal bottom bases are available for all three types of installations - collar mount, bung mount and manways. Can be factory cut.

DUAL STP SYSTEM

Accommodates two STP systems with ample room to work.

58" DIAMETER RISER

Widest riser in the industry provides ample room for installation and service work.



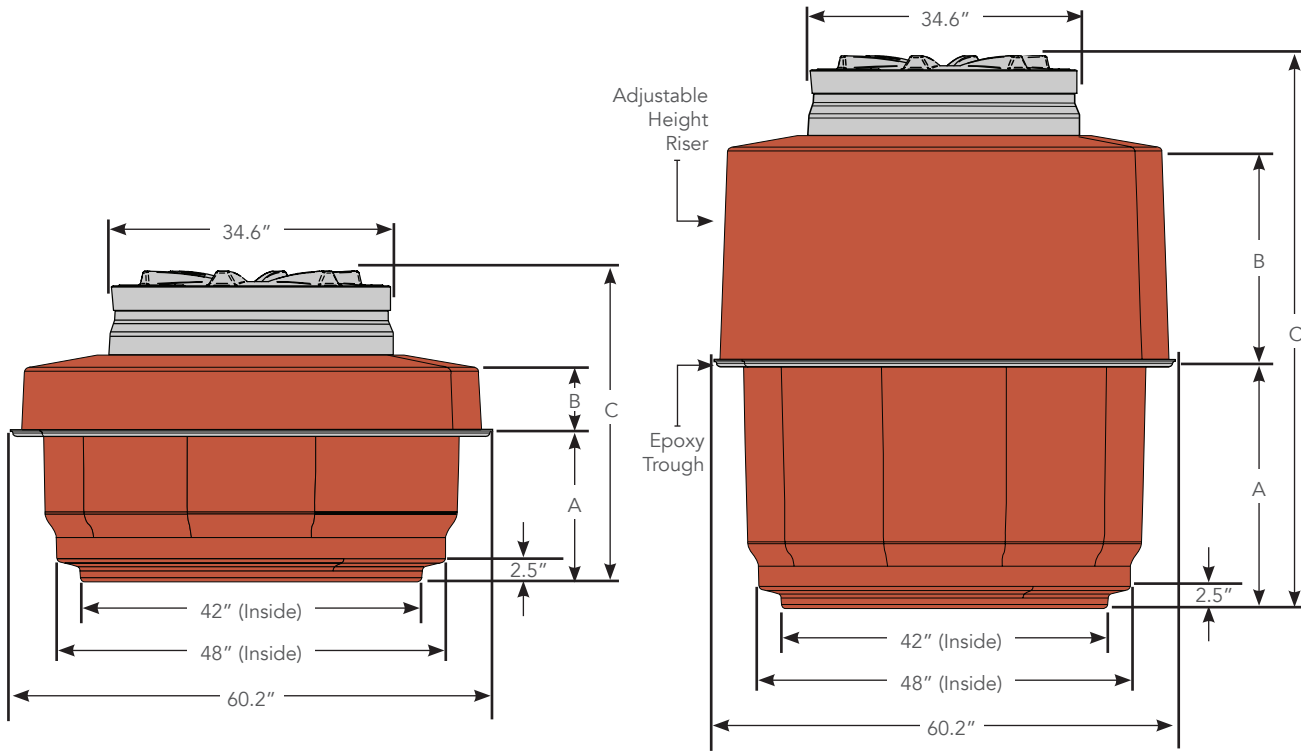
PC4872U

PC4840U



INSPECTION PORT

Optional 4" inspection port allows quick and easy inspection without removing entire cover.
IP4000-1



PRODUCT SIZES*

Part No.	Base Height (A)	Adjustable Height (B)	Overall Height (C)
PC4840U	19"	0" - 8"	32" - 40"
PC4852U	32"	0" - 8"	44" - 52"
PC4860U	19"	0" - 28"	32" - 60"
PC4872U	32"	0" - 28"	44" - 72"

Options (Example: PC48XXU-3XX)

-3B0	Solid Bottom, No Bonding Kit
-3B1	Solid Bottom, E148CM Epoxy Kit
-3B2	Solid Bottom, (x2) E148CM Epoxy Kit
-3C0	42" Collar Mount, No Bonding Kit**
-3C2	42" Collar Mount, (x2) E148CM Epoxy Kit**
-3D0	48" Collar Mount, No Bonding Kit***
-3D2	48" Collar Mount, (x2) E148CM Epoxy Kit***

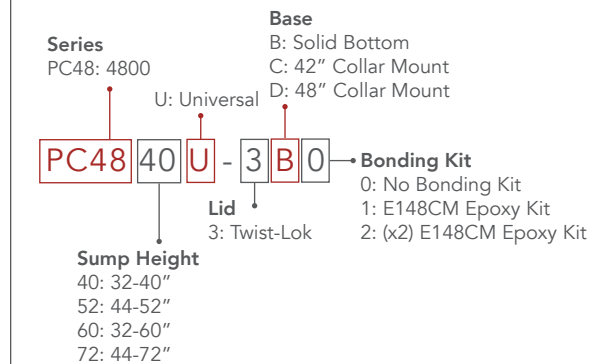
Optimum lid height is 4" below manhole cover

* Dimensions are based on Solid Bottom sumps only

** Subtract 1" if mounting to a 42" tank collar

*** Subtract 2.5" if mounting to a 48" tank collar

PART NUMBER LEGEND





PCM4800 SERIES TANK SUMPS

PCI's PCM4800 Series fiberglass tank sumps are some of the largest in the industry yet most cost-conscious. It offers all the benefits of our 4800 series with a narrower riser to reduce shipping costs.



UNIVERSAL BASE

Collar mount, solid bottom and universal bottom bases are available for all three types of installations - collar mount, bung mount and manways. Can be factory cut.

DUAL STP SYSTEM

Accommodates two STP systems with ample room to work.

COST-EFFECTIVE

All benefits of the 4800 series in a more economical option - narrow riser reduces shipping costs.



PCM4872-3D0

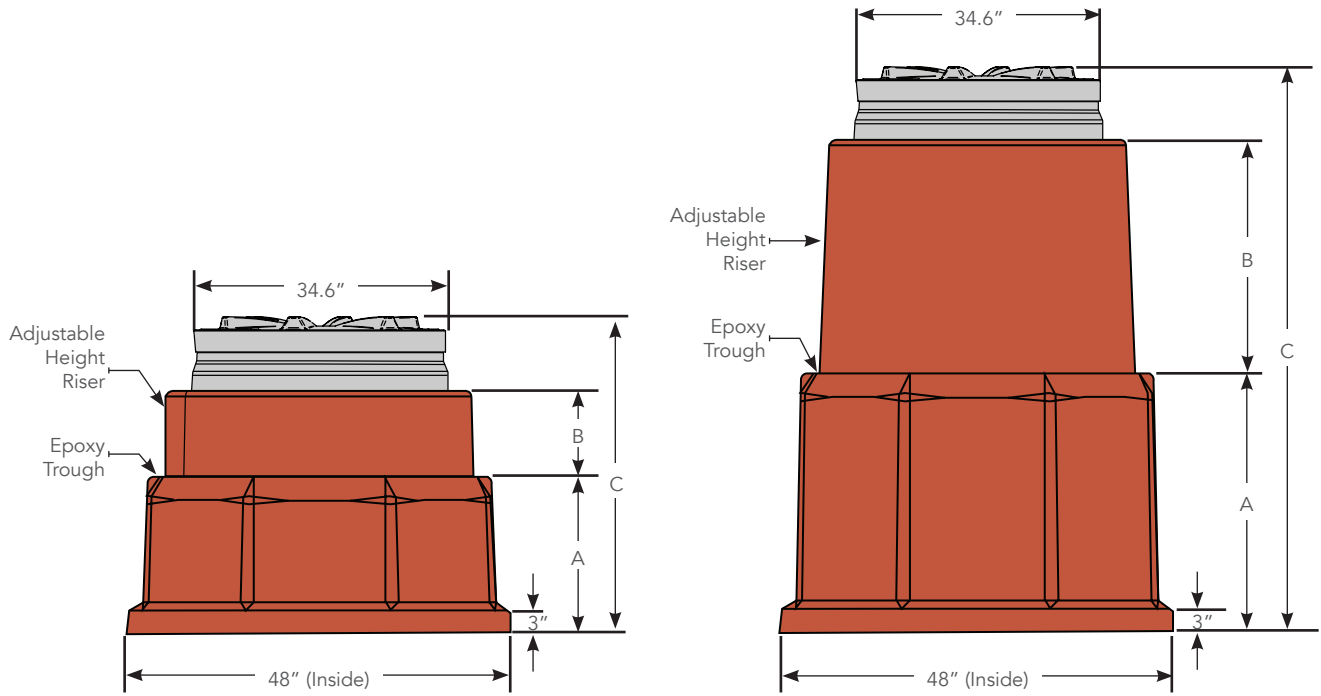


PCM4840-3D0



INSPECTION PORT

Optional 4" inspection port allows quick and easy inspection without removing entire cover. IP4000-1



PRODUCT SIZES*

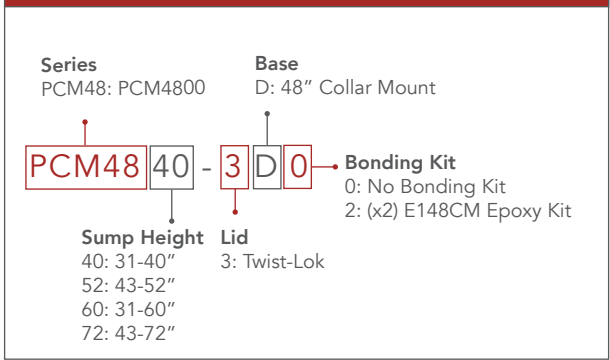
Part No.	Base Height (A)	Adjustable Height (B)	Overall Height (C)
PCM4840	20"	0" - 9"	31" - 40"
PCM4852	32"	0" - 9"	43" - 52"
PCM4860	20"	0" - 29"	31" - 60"
PCM4872	32"	0" - 29"	43" - 72"

Options (Example: PCM48XXU-3XX)

-3D0	48" Collar Mount, No Bonding Kit***
-3D2	48" Collar Mount, (x2) E148CM Epoxy Kit***

Optimum lid height is 4" below manhole cover

PART NUMBER LEGEND





TSA SERIES TANK SUMP ADAPTER

PCI tank sump adapters provide a secure and economical alternative for installations that do not allow for a collar mounted sump. Their composite construction eliminates flange corrosion and protects steel pipe fittings.

RETROFIT SUMP INSTALLATIONS

The TSA fitting easily adapt the tank, allowing installation of a secondary containment sump

FIBERGLASS FLANGE

Thick, fiberglass composite flange is heavy-duty to cope with any jobsite and eliminates the need for drilling bolt holes in the bottom of the sump

STAINLESS STEEL OPTIONS

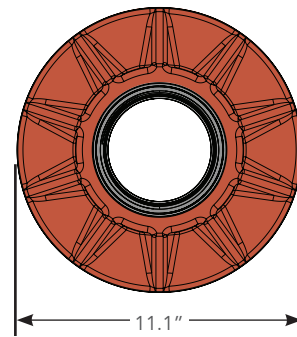
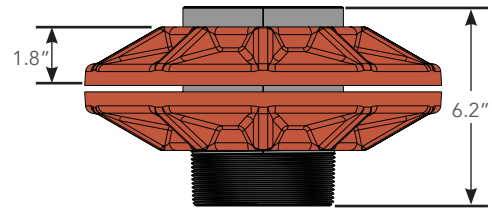
Stainless steel options are available for the most demanding corrosion resistance.

COST-EFFECTIVE

The TSA fitting is the most economical method of installing a water-tight tank sump.



TSA400



Part No.	Description	OD
TSA400	4" Tank Sump Adapter	11.1"
Additional Components (Order Separately)		
TSA400-IF	4" Tank Sump Adapter Installation Fixture	



TANK COLLARS NEW CONSTRUCTION & RETROFIT

Fiberglass tank collars are the most reliable method of tank sump installation. Their rigid construction from UL listed isophthalic fiberglass will provide a sturdy mount while personnel enter and exit the tank sump.

PRECUT - EASY INSTALLATION

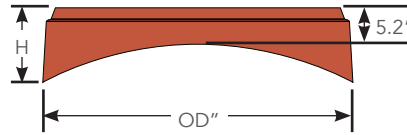
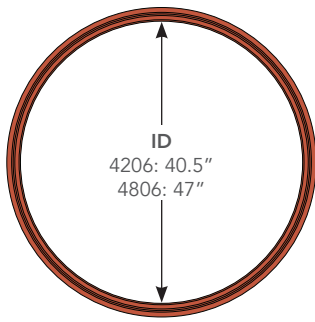
Precut for easy installation to fit directly onto 4', 5', 6', 7', 8', 10' and 12' diameter tanks without modification.

UNIVERSAL DESIGN

Tank sumps can be installed with a traditional fiberglass kit or an epoxy kit to make a watertight seal. Collars can be installed directly onto fiberglass, steel and jacketed tanks.

NESTABLE DESIGN

PCI's tank collars use a nestable design which reduces shipping and inventory costs.



Single Wall	Double Wall	Description	OD	H
42" Collars				
4206CL-5	CLRDW4206-5	42" Tank Collar, Fits 5' Tanks	45.2"	15.5"
4206CL-6	CLRDW4206-6	42" Tank Collar, Fits 6' Tanks	44.9"	13.1"
4206CL-7	CLRDW4206-7	42" Tank Collar, Fits 7' Tanks	44.7"	11.7"
4206CL-8	CLRDW4206-8	42" Tank Collar, Fits 8' Tanks	44.6"	10.8"
4206CL-9	CLRDW4206-9	42" Tank Collar, Fits 9' Tanks	44.5"	10.1"
4206CL-10	CLRDW4206-10	42" Tank Collar, Fits 10' Tanks	44.5"	9.5"
4206CL-12	CLRDW4206-12	42" Tank Collar, Fits 12' Tanks	44.4"	8.8"
48" Collars				
4806CL-5	CLRDW4806-5	48" Tank Collar, Fits 5' Tanks	51.7"	20"
4806CL-6	CLRDW4806-6	48" Tank Collar, Fits 6' Tanks	51.2"	15.9"
4806CL-7	CLRDW4806-7	48" Tank Collar, Fits 7' Tanks	51"	13.9"
4806CL-8	CLRDW4806-8	48" Tank Collar, Fits 8' Tanks	50.8"	12.5"
4806CL-9	CLRDW4806-9	48" Tank Collar, Fits 9' Tanks	50.7"	11.6"
4806CL-10	CLRDW4806-10	48" Tank Collar, Fits 10' Tanks	50.6"	10.9"
4806CL-12	CLRDW4806-12	48" Tank Collar, Fits 12' Tanks	50.5"	9.8"



Part No.	Description
42" x 42" Square Collar	
CL4242-5	42x42" Square Collar, Fits 5' Tanks
CL4242-6	42x42" Square Collar, Fits 6' Tanks
CL4242-7	42x42" Square Collar, Fits 7' Tanks
CL4242-8	42x42" Square Collar, Fits 8' Tanks
CL4242-9	42x42" Square Collar, Fits 9' Tanks
CL4242-10	42x42" Square Collar, Fits 10' Tanks
CL4242-12	42x42" Square Collar, Fits 12' Tanks
48" x 48" Square Collar	
CL4848-5	48x48" Square Collar, Fits 5' Tanks
CL4848-6	48x48" Square Collar, Fits 6' Tanks
CL4848-7	48x48" Square Collar, Fits 7' Tanks
CL4848-8	48x48" Square Collar, Fits 8' Tanks
CL4848-9	48x48" Square Collar, Fits 9' Tanks
CL4848-10	48x48" Square Collar, Fits 10' Tanks
CL4848-12	48x48" Square Collar, Fits 12' Tanks



PART NUMBER LEGEND

Series

4206CL: 42" Collar
 CLRDW4206: 42" Double Wall Collar
 4806CL: 48" Collar
 CLRDW4806: 48" Double Wall Collar
 CL4242: 42" Square Collar
 CL4848: 48" Square Collar

Tank Size

5: 5' Dia. Tanks
 6: 6' Dia. Tanks
 7: 7' Dia. Tanks
 8: 8' Dia. Tanks
 10: 10' Dia. Tanks
 12: 12' Dia. Tanks

4206CL - 5



TSM SERIES TRANSITION SUMPS

TSM Series multi-body transition sumps are some of the most versatile sumps in the marketplace. The epoxy trough eliminates field fiberglass work and the square design offers large piping surfaces. Many combinations of bases and risers available to best suit individual jobsite requirements. The TSM series also features optional collar mount bases for use as tank sumps, expanding the versatility of the product line.



TSM484860-3B0

CUSTOM SIZES AVAILABLE

Various sizes and options are available to meet any job-site or customer specifications upon request.

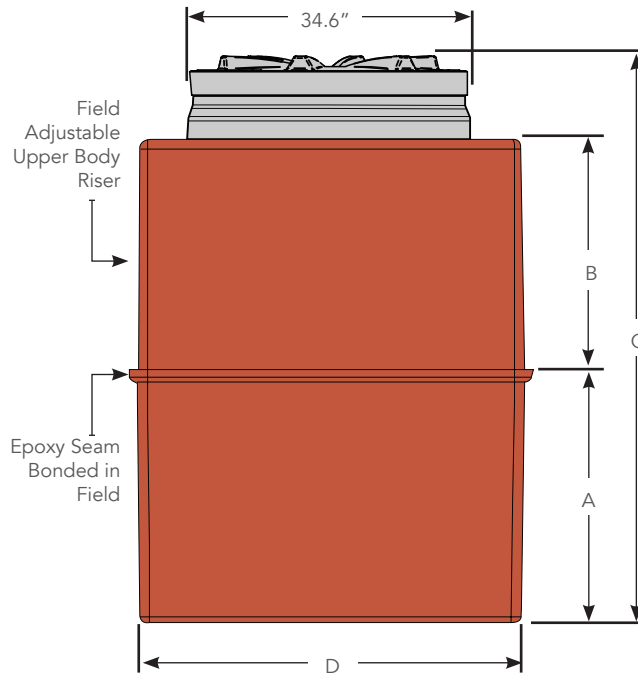
VERSATILE

Collar mount bases allow the TSM Series to be used as tank sumps.



INSPECTION PORT

Optional 4" inspection port allows quick and easy inspection without removing entire cover.
IP4000-1



PRODUCT SIZES*				
Part No.	Base Height (A)	Adjustable Height (B)	Overall Height (C)	Width (D)
TSM363630B	18"	4" - 12"	28" - 36"	36"
TSM484836B	18"	4" - 18"	32" - 46"	48"
TSM484848D	30"	4" - 18"	44" - 58"	48"
TSM606048D	30"	4" - 18"	44" - 58"	60"
TSM606060D	30"	4" - 30"	44" - 70"	60"
TSM484836BU	18"	4" - 18"	38" - 52"	48"
TSM484848DU	30"	4" - 18"	44" - 64"	48"
TSM606048DU	30"	4" - 18"	44" - 64"	60"
TSM606060DU	30"	4" - 30"	44" - 76"	60"

Options (Example: TSMXXXXXX-3XX)	
-3B0	Solid Bottom, No Bonding Kit
-3B1	Solid Bottom, E148CM Epoxy Kit
-3C0*	42" Collar Mount, No Bonding Kit
-3C2*	42" Collar Mount, E142CM / E148CM Epoxy Kit
-3D0**	48" Collar Mount, No Bonding Kit
-3D2**	48" Collar Mount, E142CM / E148CM Epoxy Kit
-3E0**	54" Collar Mount, No Bonding Kit
-3E2**	54" Collar Mount, E142CM / E148CM Epoxy Kit

Additional Models and Options are Available
Double Wall Models & Options Available, See Page 36-37

* 42" Collar mount options are available on TSM4848XXU and TSM6060XXU models only

** Only available for TSM6060XXU models.

PART NUMBER LEGEND			
Length 48: 48" 60: 60"	Height¹ 30: 32-40" 36: 32-46" 48: 44-58" 60: 44-70"	Lid 3: Twist-Lok	Bonding Kit 0: No Bonding Kit 1: E148CM Epoxy Kit 2: E142CM / E148CM Epoxy Kit 8: EF148DW Epoxy Kit 9: EF148DW / GK-42 Bonding Kit
Series TSM: Standard TSMDW: Double Wall	Width 36: 36" 48: 48" 60: 60"	Base B: 18" D: 30" BU: 18" Universal DU: 30" Universal	Base B: Solid Bottom C: 42" Collar Mount D: 48" Collar Mount E: 54" Collar Mount

¹Universal Bottom adds 6" to height



FORGED STEEL COUPLINGS

Forged Steel Couplings will not deteriorate or crack from UV exposure.

LARGE ACCESS OPENING

More space makes for easy installation and service

STAINLESS STEEL OPTIONS

We offer stainless steel options to best suit your installation requirements

CUSTOM SIZES AVAILABLE

Various sizes and options are available to meet any job-site or customer specifications upon request.



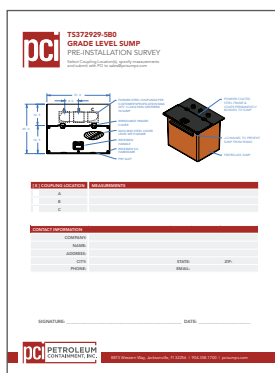
TS SERIES - GRADE LEVEL TRANSITION SUMPS

Transition Sumps are the most versatile containment sump. They can be used to transition from above ground steel pipe to underground fiberglass or flex piping for use with an AST or vent lines. They can also be used as an intermediate sump for a system low point, or to contain accessible equipment such as underground ball valves.



TS372929-5B0
Utilized as a vent box or an AST transition

TS462929-4B0
For grade level in non-traffic areas

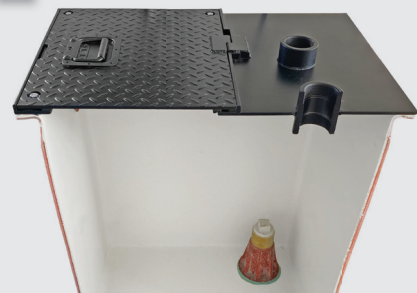


PRE-INSTALLATION SURVEY

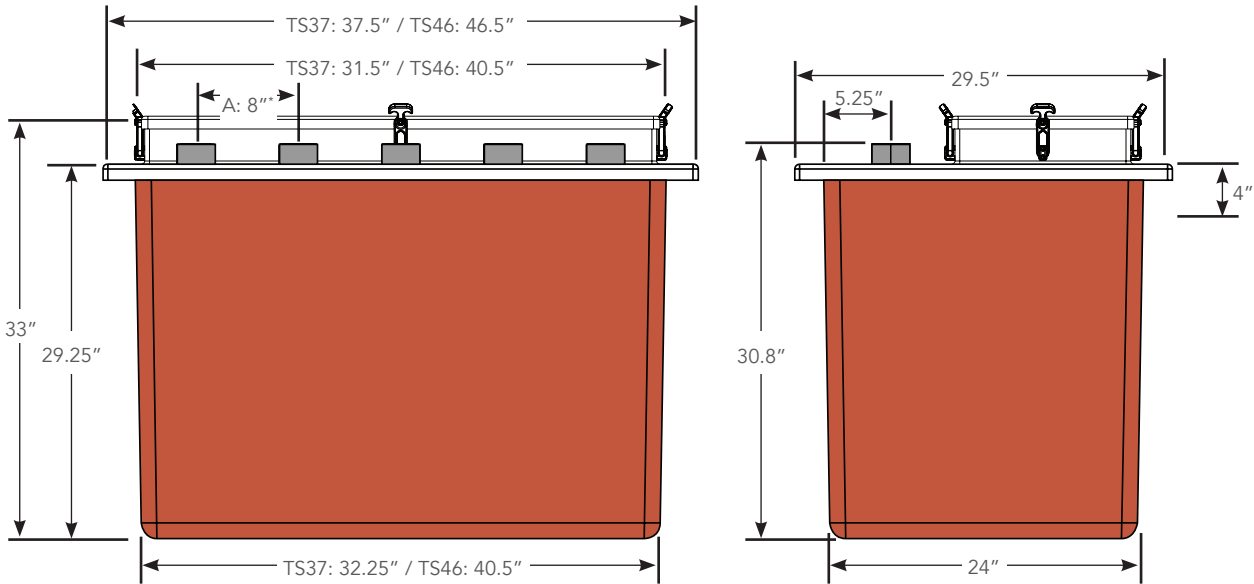
Allows you to specify coupling locations and measurements

DOUBLE WALL OPTIONS SEE PAGES 38-39

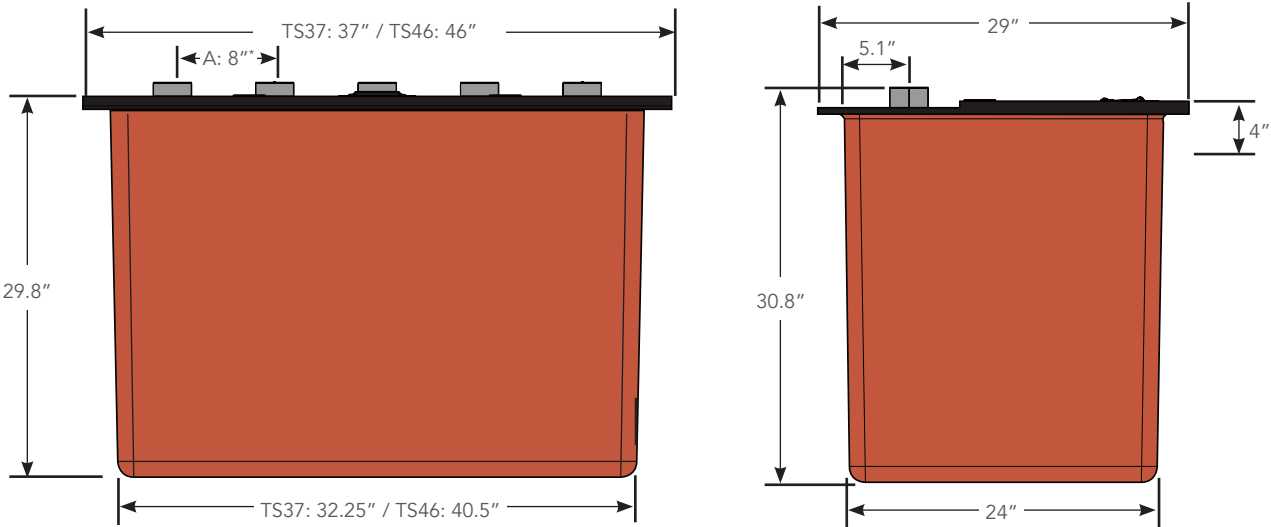
Available in double wall for a variety of monitoring options to satisfy local regulations and requirements. From dry fluid or fluid filled interstitial to vacuum interstice monitoring, PCI has all options to best fit your installation and compliance needs.



DIMENSIONS WITH -4B0 RAIN-TITE COVER



DIMENSIONS WITH -5B0 / -6B0 DIAMOND PLATE COVER



Single Wall	Length	Width	Height	Max. Couplings
TS372929	37"	29"	29"	3
TS462929	46"	29"	29"	5*

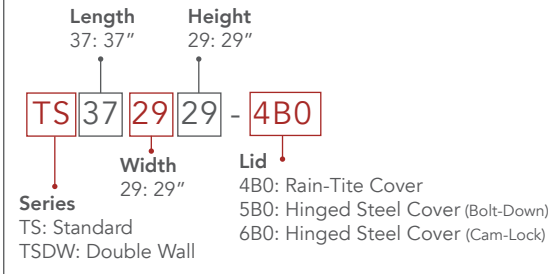
Options (Example: TS372929-5B0)

-4B0	Rain-Tite Cover with Steel Couplings
-5B0	Hinged Diamond Plate Steel Cover (Bolt-Down)
-6B0	Hinged Diamond Plate Steel Cover (Cam-Lock)

Additional Components (Order Separately)

CPLG-1	1" Forged Steel Coupling
CPLG-1SS	1" Forged Stainless Steel Coupling
CPLG-2	2" Forged Steel Coupling
CPLG-2SS	2" Forged Stainless Steel Coupling
CPLG-3	3" Forged Steel Coupling
CPLG-4	4" Forged Steel Coupling

PART NUMBER LEGEND



Vent Line Support Racks

VLSR-96X40	8' Vent Rack for TS37
VLSR-96X48	8' Vent Rack for TS46
VLSR-MB	Brackets for Vent Rack (Set of 2)

*Dimension A
If 5 couplings are used, spacing is 7.75"



TANK SUMP QUICK REFERENCE CHART

	PCI Part No.	Tank Burial Depth (in)			
		36"	48"	60"	72"
42" COLLAR MOUNT	PCM4233-3C0	•			
	PCM4233-3C2	•			
	PCM4248-3C0	•	•		
	PCM4248-3C2	•	•		
	PCM4255-3C0	•	•	•	
	PCM4255-3C2	•	•	•	
	PC4540U-3C0	•			
	PC4540U-3C2	•			
	PC4540U-3C4	•			
	PC4550U-3C0	•	•		
	PC4550U-3C2	•	•		
	PC4550U-3C4	•	•		
	PC4560U-3C0	•	•	•	
	PC4560U-3C2	•	•	•	
	PC4560U-3C4	•	•	•	
	PC4840U-3C0		•		
	PC4840U-3C2		•		
	PC4852U-3C0			•	
	PC4852U-3C2			•	
	PC4860U-3C0		•	•	
PC4860U-3C2		•	•		
PC4872U-3C0			•	•	
PC4872U-3C2			•	•	
48" COLLAR MOUNT	PC4840U-3D0		•		
	PC4840U-3D2		•		
	PC4852U-3D0			•	
	PC4852U-3D2			•	
	PC4860U-3D0		•	•	
	PC4860U-3D2		•	•	
	PC4872U-3D0			•	•
	PC4872U-3D2			•	•
	PCM4840-3D0		•		
	PCM4840-3D2		•		
	PCM4852-3D0		•	•	
	PCM4852-3D2		•	•	
	PCM4860-3D0		•	•	
	PCM4860-3D2		•	•	
	PCM4872-3D0		•	•	•
	PCM4872-3D2		•	•	•

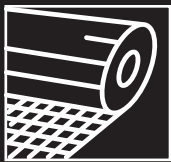
PCI Part No.	Tank Burial Depth (in)			
	36"	48"	60"	72"
PC4224-CB0	•			
PC4224-CB1	•			
PC4224-CB4	•			
PC4230-3B0	•			
PC4230-3B1	•			
PC4230-3B4	•			
PC4240-3B0	•	•		
PC4240-3B1	•	•		
PC4240-3B4	•	•		
PC4240-CB0	•	•		
PC4240-CB1	•	•		
PC4240-CB4	•	•		
PC4250-3B0	•	•	•	
PC4250-3B1	•	•	•	
PC4250-3B4	•	•	•	
PC4250-CB0	•	•	•	
PC4250-CB1	•	•	•	
PC4250-CB4	•	•	•	
PC4540U-3B0	•			
PC4540U-3B1	•			
PC4540U-3B2	•			
PC4540U-3B3	•			
PC4540U-3B4	•			
PC4550U-3B0	•	•		
PC4550U-3B1	•	•		
PC4550U-3B2	•	•		
PC4550U-3B3	•	•		
PC4550U-3B4	•	•		
PC4560U-3B0	•	•	•	
PC4560U-3B1	•	•	•	
PC4560U-3B2	•	•	•	
PC4560U-3B3	•	•	•	
PC4560U-3B4	•	•	•	
PC4840U-3B0		•		
PC4840U-3B1		•		
PC4840U-3B2		•		
PC4852U-3B0			•	
PC4852U-3B1			•	
PC4852U-3B2			•	
PC4860U-3B0		•	•	
PC4860U-3B1		•	•	
PC4860U-3B2		•	•	
PC4872U-3B0			•	•
PC4872U-3B1			•	•
PC4872U-3B2			•	•

FIBERGLASS DISPENSER SUMPS

The following features are standard on all PCI dispenser sumps. We continually look to innovate and engineer products that truly exceed secondary containment standards. We pride ourselves on engineering with intent to provide the highest quality and value while ensuring a permanent solution that helps ensure smooth installation and service.



THE PCI DIFFERENCE



100% FIBERGLASS

100% high quality, non-corrosive fiberglass provides long-term reliable containment from fuel exposure without voiding warranty, warping, cracking or becoming brittle.



DUO-MOLDED TECHNOLOGY

Our fiberglass sumps utilizes **Duo-Molded Technology**. Using premium raw materials with a high glass content, we create two layers of fiberglass, offering superior strength and fuel resistance.



'BRITE-WHITE' INTERIOR

Our signature 'Brite-White' interior reflects light for better visibility and makes identifying leak points easier.



Translucent Fiberglass Finish
Brite-White Fiberglass Interior



SINGLE PIECE CONSTRUCTION

All of our dispenser sumps are constructed as a single piece which eliminates any seams and provides less places for water penetration.



UNIVERSAL STABILIZER BARS

Universal stabilizer bars with 3-axis adjustment accommodate multi-product dispensers without displacing product lines and ensure proper load transfer in case of an impact from any direction.



1" COMPOSITE RAINLIP

The 1" composite rain lip protrudes from the bottom of the dispenser to prevent surface water from entering the sump. This also offers better protection against rust and corrosion than metallic rainlips.



OPTIONS AVAILABLE



PRE-PLUMBED SERVICE DISPENSER SUMPS

PCI's Dispenser Sumps are available with completely customizable pre-plumb service built to customer's specifications. Our pre-plumb dispenser sumps are built in a production line process to ensure reliability and cut down on potential installation errors.



INCLUDE INTERNAL PIPING

PCI's True Pre-Plumb service includes all internal piping from the shear valve to penetration.

CUSTOMIZABLE

Our pre-plumb selection guide allows you to customize your dispenser and ensure it's built to customer's specifications.

PARTIAL OR FULL PRE-PLUMB AVAILABLE

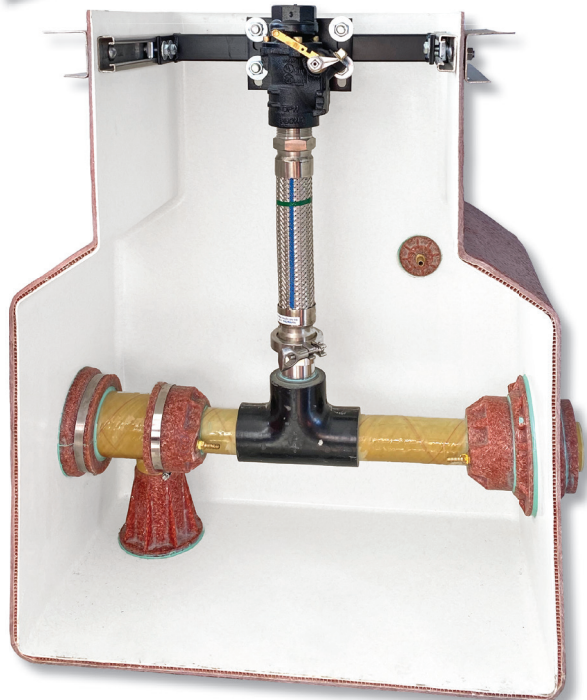
Depending on the site's installation needs, we can create a full or partial pre-plumbed sump.

FACTORY TESTED

Full pre-plumb dispenser sumps are completely hydrostatically and pressure tested prior to shipment eliminating the need for any field labor.



PP-RSC
Pre-Plumbed RSC



PPDW-RSC
Pre-Plumbed RSC Double Wall



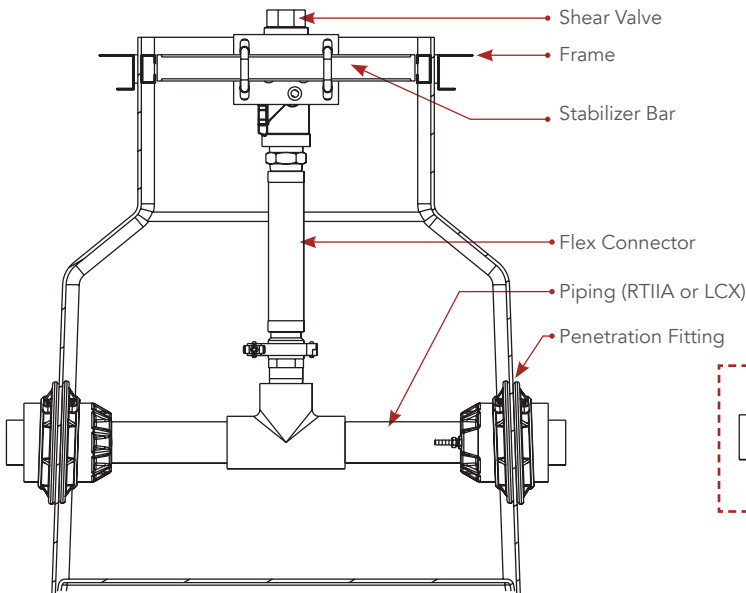
OPTIONS AVAILABLE



FULL PRE-PLUMB

Shear Valve to Penetration

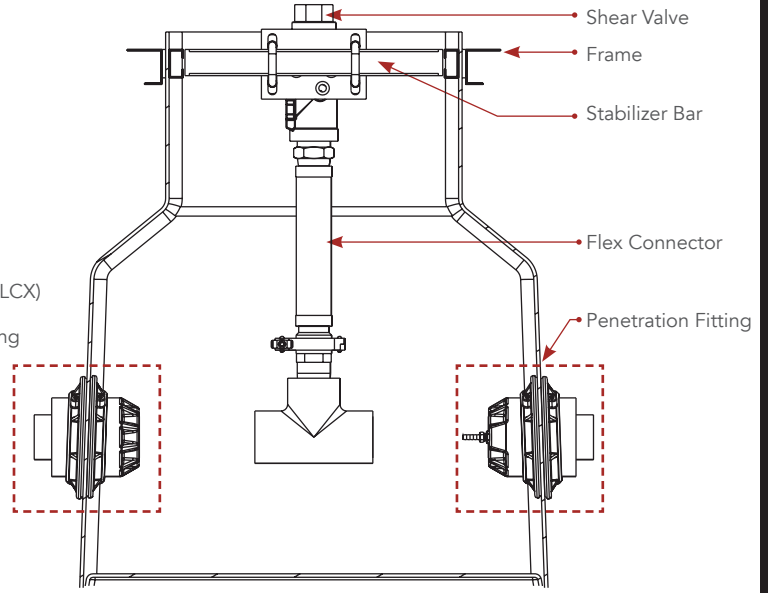
- Available for Fiberglass Pipe



PARTIAL PRE-PLUMB

Shear Valve to Flex Connector

- Available for Flex, Fusion and Fiberglass Pipe



ORDERING REQUIREMENTS

SUBMIT PRE-PLUMB SELECTION GUIDE

The Pre-Plumb selection guide allows you to completely customize your pre-plumbed dispenser.

- Dispenser Model & Product Configuration
- Penetration Fitting
- SVA Material (Powder Coated or Stainless Steel)
- Frame Material (Galvanized or Stainless Steel)
- Piping
- Sump Type
- Flex Connector
- Shear Valve

BUILT TO YOUR SPECIFICATIONS

PCI reviews your selection guide and creates a custom dispenser sump based on your specifications. It is built through our repeatable and controlled production process. Prior to shipment, the sump is hydrostatically and pressure tested.

CONFIGURATION 1	CONFIGURATION 2	CONFIGURATION 3	CONFIGURATION 4
Dispenser Model: _____ Quantity: _____	Dispenser Model: _____ Quantity: _____	Dispenser Model: _____ Quantity: _____	Dispenser Model: _____ Quantity: _____
CONFIGURATION 5	CONFIGURATION 6	CONFIGURATION 7	CONFIGURATION 8
Dispenser Model: _____ Quantity: _____	Dispenser Model: _____ Quantity: _____	Dispenser Model: _____ Quantity: _____	Dispenser Model: _____ Quantity: _____

Pre-Plumb Selection Guide for Gilbarco Encore

PCI PETROLEUM CONTAINMENT, INC.	Company: _____	Date Submitted: _____	Shear Valve: _____
Project Name: _____	Date Approved: _____	Revision: _____	OPW: _____
Email: _____	Quote No.: _____	SO: _____	1-1/2" SP Female
Penetration Fitting: <input type="checkbox"/> PCI <input type="checkbox"/> NOV	SVA Material: <input type="checkbox"/> Powder Coated <input type="checkbox"/> Stainless Steel	Frame Material: <input type="checkbox"/> Galvanized <input type="checkbox"/> Stainless Steel	1-1/2" DP Female
		Piping: <input type="checkbox"/> Red Thread II <input type="checkbox"/> Dually LCK	10+ 1-1/2" Female
		Flex Connector: <input type="checkbox"/> 12" M&MDF <input type="checkbox"/> 15" M&MDF <input type="checkbox"/> 18" M&MDF	2" SP Female
Notes: _____		Dispenser Sump Series: <input type="checkbox"/> RSA <input type="checkbox"/> RSC	2" DP Female
			10+ 2" Female
			EMCO <input type="checkbox"/> 1-1/2 DP Female-SS



HOT

**RSC SERIES
DISPENSER SUMPS**

PCI's RSC (Reduced Steel Conduitless) dispenser sump offers our quality fiberglass in a cost-effective design. Our reduced galvanized steel frame offers excellent corrosion resistance.



Powder Coated Shear Valve Stabilizer Assembly Kit
(Sold Separately)



ADJUSTABLE HEIGHT

Designed and engineered to allow up to 6" of field adjustment helps ensure proper slope once penetration fittings have been installed off location.

WIDE-BODY DESIGN

Allows ample space for up to 4 Pass-Thru plumbing configurations in a single sump while our tapered top fits inside the most narrow island forms.

DUAL CONDUITLESS ENTRY

Conduit mounting channel is engineered directly into both ends of the steel frame to allow electrical entry in the bottom of the dispenser without penetrating the sump wall.



OPTIONS AVAILABLE



PART NUMBER LEGEND

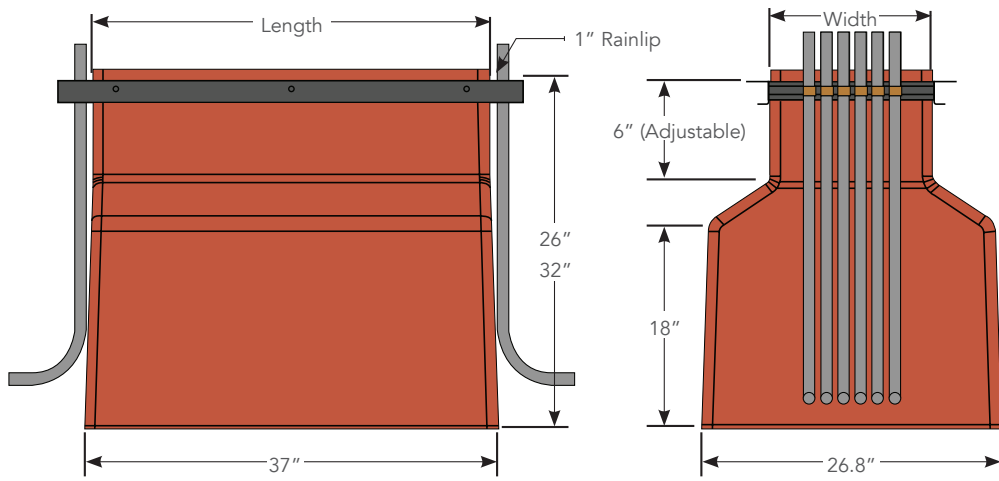
Series	Length
RSC: Standard	206: 20.75"
RSCDW: Double Wall	260: 26"
	360: 36"

Width	Suffix (PCI Internal Identifier)
146: 14.75"	A: Atlas
120: 12"	B: Bennett
174: 17.5"	H: Helix
154: 15.5"	HV: High Speed Vista
112: 11.25"	X: No Rainlip
	DEF: Separate DEF Compartment

RSC	120	206	X
-----	-----	-----	---

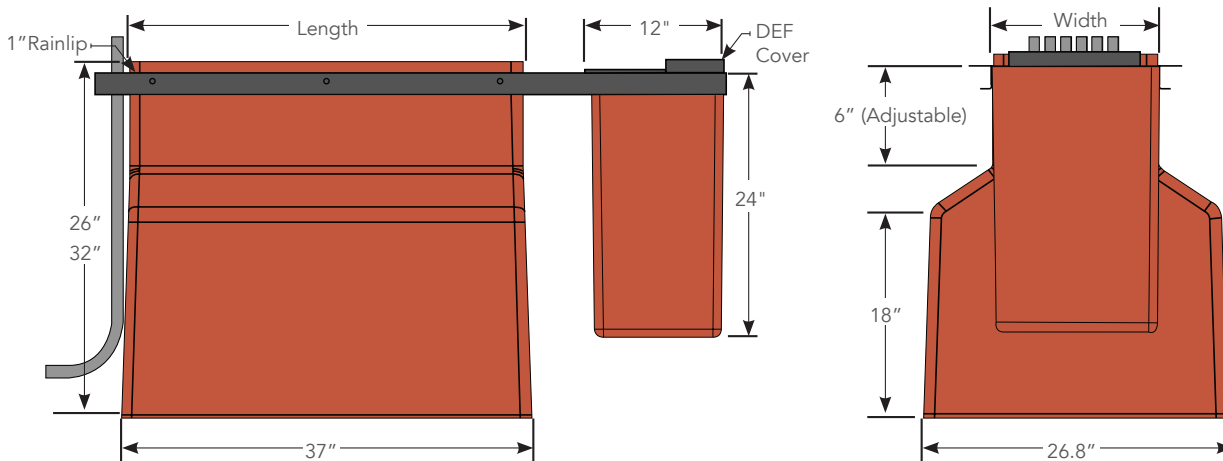
**DOUBLE WALL OPTIONS
AVAILABLE - SEE PAGES 40-41**

Available in double wall for a variety of monitoring options to satisfy local regulations and requirements. From dry fluid or fluid filled interstitial to vacuum interstice monitoring, PCI has all options to best fit your installation and compliance needs.



Dispenser Model	RSC Series	Width	Length	Stabilizer Kit
Bennett Pacific	RSC146360B	14.75"	36"	SVU-L
Bennett 3000	RSC120206	12"	20.75"	SVU-S
Gasboy Atlas	RSC120206A	12"	20.75"	SVU-S
Gilbarco Encore	RSC174360	17.5"	36"	SVU-L
Gilbarco Legacy	RSC120206X	12"	20.75"	SVU-S
Wayne Century	RSC154260	15.5"	26"	SVU-L
Wayne Helix 5000	RSC174360H	17.5"	36"	SVU-L
Wayne Reliance	RSC154260	15.5"	26"	SVU-L
Wayne Select	RSC154260	15.5"	26"	SVU-L
Wayne Ovation	RSC146360	14.75"	36"	SVU-L
Wayne Vista (UHC) HS3, HS4	RSC154260HV	15.5"	26"	SVU-L
Wayne Vista 48"	RSC112360	11.25"	36"	SVU-S

**Note: Additional Models Available
For Double Wall Dispenser Sumps & Options, See Pages 40-41**



Dispenser Model	RSC Series	Width	Length	Stabilizer Kit
Bennett BigFueller w/ DEF	RSC120206DEF	12"	20.75"	SVU-S/SVU-S
Bennett BigFueller w/ Dual DEF	RSC120206DEF-2	12"	20.75"	SVU-S/SVU-S
Gilbarco Encore w/ DEF	RSC174360DEF	17.5"	36"	SVU-L/SVU-L
Wayne Ovation HS w/ DEF	RSC154260DEF	15.5"	26"	SVU-L/SVU-L

Note: Additional Models Available



DP SERIES DISPENSER SUMPS

The DP (Dispenser Pan) Series Dispenser Sumps are the most affordable fiberglass dispenser sump on the market. The is the shallowest dispenser sump PCI manufactures that can still accommodate a flex connector.

SHALLOW BURIAL DEPTH

Shallowest dispenser sump that PCI manufactures, that can still accommodate a flex connector

DUAL CONDUITLESS ENTRY

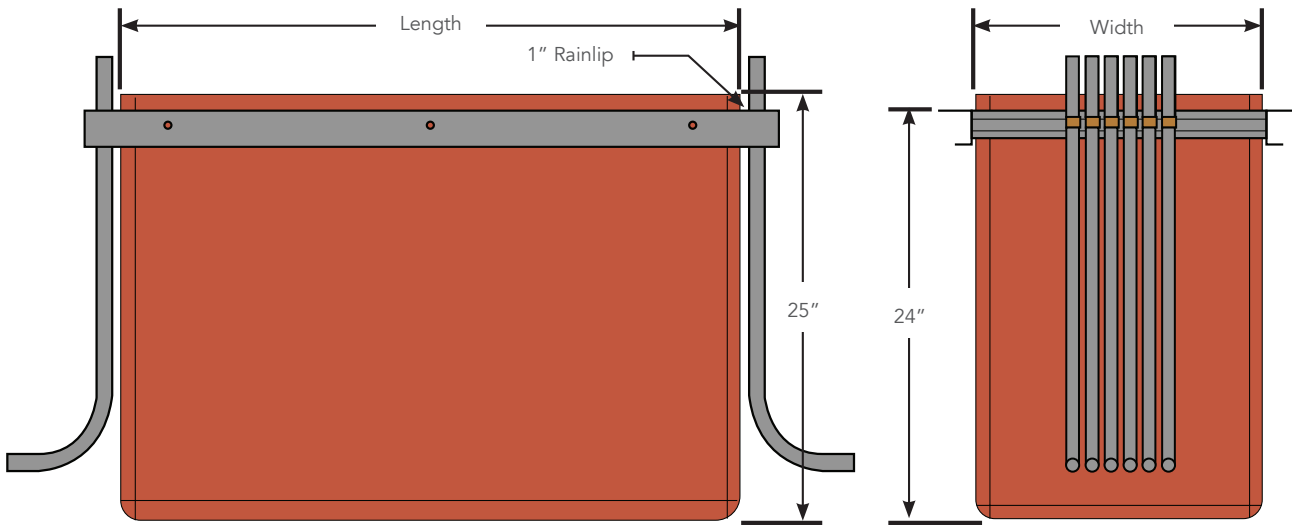
Conduit mounting channel is engineered directly into both ends of the steel frame to allow electrical entry in the bottom of the dispenser without penetrating the sump wall.



OPTIONS AVAILABLE



Powder Coated Shear Valve Stabilizer Assembly Kit
(Sold Separately)



Dispenser Model	DP Series	Width	Length	Stabilizer Kit
Gilbarco Encore	DP174360	17.5"	36"	SVU-L
Wayne Ovation	DP146360	14.75"	36"	SVU-L

**Note: Additional Models Available
For Double Wall Dispenser Sumps & Options, See Pages 40-41**

PART NUMBER LEGEND

Series

DP: Standard

DPDW: Double Wall

DP

146

360

Length

360: 36"

Width

146: 14.75"

174: 17.5"



**DOUBLE WALL OPTIONS
AVAILABLE - SEE PAGES 40-41**

Available in double wall for a variety of monitoring options to satisfy local regulations and requirements. From dry fluid or fluid filled interstitial to vacuum interstice monitoring, PCI has all options to best fit your installation and compliance needs.



CLE / CLS SERIES DISPENSER SUMPS

PCI's CLE / CLS dispenser sumps offer quality and dependability in a fiberglass constructed body with a heavy gauge steel frame. It is also available with a dual compartment for DEF in our DEF series.

5-PRODUCT ENTRIES

Extra long sump wall has room for up to five product entries.

HEAVY-GAUGE STEEL FRAMES

The dispenser sump frame is manufactured from heavy gauge steel, providing strength and rigidity, and is designed to lock into the concrete foundation.

SINGLE CONDUITLESS ENTRY

Conduit is allowed to enter into the bottom of the dispenser without penetrating the sump walls. Less entries require less penetration fittings and provide less risk for water intrusion.

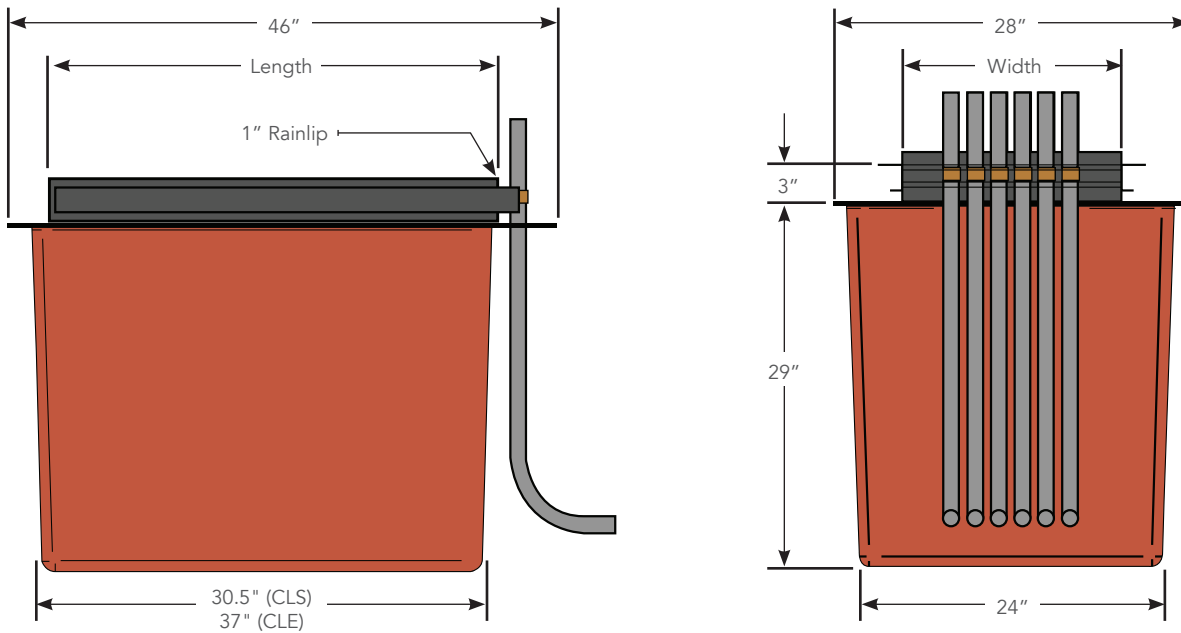


**Powder Coated Shear Valve
Stabilizer Assembly Kit**
(Sold Separately)



NESTABLE

Multiple sumps can be stacked and nested together to significantly reduce shipping costs and simplify inventory by storing more sumps on less pallets.



Dispenser Model	Standard	Width	Length	Stabilizer Kit
Bennett Pacific	CLE146390B	14.75"	39"	SVU-L
Bennett 3000	CLS120206	12"	20.75"	SVU-S
Gasboy Atlas	CLS120206A	12"	20.75"	SVU-S
Gilbarco Encore	CLE174375	17.5"	37.5"	SVU-L
Gilbarco Legacy	CLS120206X	12"	20.75"	SVU-S
Wayne Century	CLE154260	15.5"	26"	SVU-L
Wayne Reliance	CLS154260R	15.5"	26"	SVU-L
Wayne Select	CLS154260	15.5"	26"	SVU-L
Wayne Ovation	CLE146390	14.75"	39"	SVU-L
Wayne Vista (UHC) HS3, HS4	CLS154294	15.5"	29.5"	SVU-L
Wayne Vista (48")	CLE112376	11.25"	37.5"	SVU-S
Wayne Helix 4000	CLS170260	17"	26"	SVU-L
Wayne Helix 5000	CLE170365	17"	36.625"	SVU-L

Note: Additional Models Available
For Double Wall Dispenser Sumps & Options, See Pages 40-41

PART NUMBER LEGEND

Series

CLE: Standard
 CLS: Standard
 CLEDW: Double Wall
 CLSDW: Double Wall

Length

206: 20.75"
 260: 26"
 294: 29.5"
 365: 36.625"
 375: 37.625"
 390: 39"

Width

112: 11.25"
 120: 12"
 146: 14.75"
 154: 15.5"
 170: 17"
 174: 17.5"

Suffix

PCI Internal Identifier
 A: Atlas
 B: Bennett
 H: Helix
 R: Reliance
 X: No Rainlip

DOUBLE WALL OPTIONS AVAILABLE - SEE PAGES 40-41

Available in double wall for a variety of monitoring options to satisfy local regulations and requirements. From dry fluid or fluid filled interstitial to vacuum interstice monitoring, PCI has all options to best fit your installation and compliance needs.



DCL SERIES DISPENSER SUMPS

The DCL Series sumps are engineered with intent and offer a watertight solution. Its double conduitless design eliminates unnecessary penetrations by allowing electrical conduits to enter into the dispenser at both ends without penetrating the sump walls.

5-PRODUCT ENTRIES

Extra long sump wall has room for up to five product entries.

HEAVY-GAUGE STEEL FRAMES

The dispenser sump frame is manufactured from heavy gauge steel, providing strength and rigidity, and is designed to lock into the concrete foundation.

DUAL CONDUITLESS ENTRY

Electrical Conduit can enter the dispenser without penetrating the sump walls, creating less risk for water intrusion

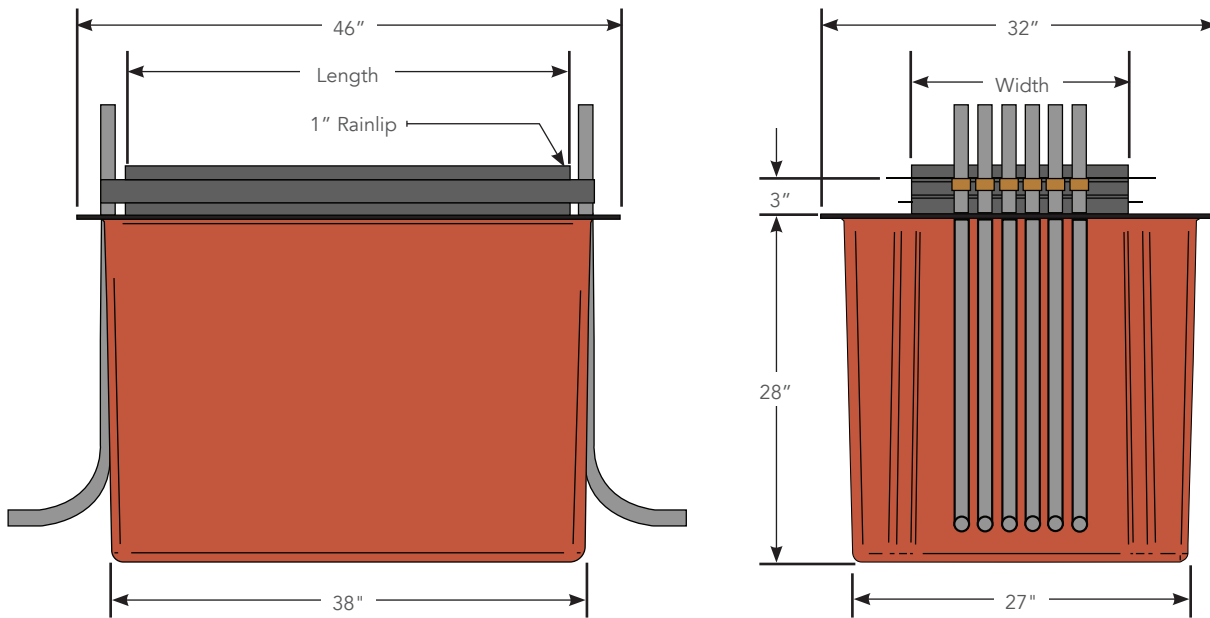


Powder Coated Shear Valve Stabilizer Assembly Kit
(Sold Separately)



NESTABLE

Multiple sumps can be stacked and nested together to significantly reduce shipping costs and simplify inventory by storing more sumps on less pallets.



Dispenser Model	DCL Series	Width	Length	Stabilizer Kit
Bennett Pacific	DCL146360B	14.75"	36"	SVU-L
Gilbarco Encore	DCL174360	17.5"	36"	SVU-L
Wayne Helix 5000	DCL170370	17"	37"	SVU-L
Wayne Ovation	DCL146360	14.75"	36"	SVU-L
Wayne Vista (48")	DCL112360	11.25"	36"	SVU-S

Note: Additional Models Available
For Double Wall Dispenser Sumps & Options, See Pages 40-41

PART NUMBER LEGEND

Series DCL: Standard DCLDW: Double Wall	Length 360: 36" 370: 37"
--	---------------------------------------

DCL
146
360

Width 112: 11.25" 146: 14.75" 170: 17" 174: 17.5"	Suffix PCI Internal Identifier B: Bennett
--	--

DOUBLE WALL OPTIONS

AVAILABLE - SEE PAGES 40-41

Available in double wall for a variety of monitoring options to satisfy local regulations and requirements. From dry fluid or fluid filled interstitial to vacuum interstice monitoring, PCI has all options to best fit your installation and compliance needs.



DEF SERIES DISPENSER SUMPS

The DEF series dispenser sumps feature all the same benefits as the CLE and CLS but includes an internal partition to separate the Diesel fuel from the DEF fuel within the sump.

Dual Compartment

An internal containment compartment separates fuel products from DEF (Diesel Exhaust Fluid) while still utilizing a single powder coated steel frame.

HEAVY-GAUGE STEEL FRAMES

The dispenser sump frame is manufactured from heavy gauge steel, providing strength and rigidity, and is designed to lock into the concrete foundation.

SINGLE CONDUITLESS ENTRY

Electrical Conduit can enter into the bottom of the dispenser without penetrating the sump walls, creating less risk for water intrusion.

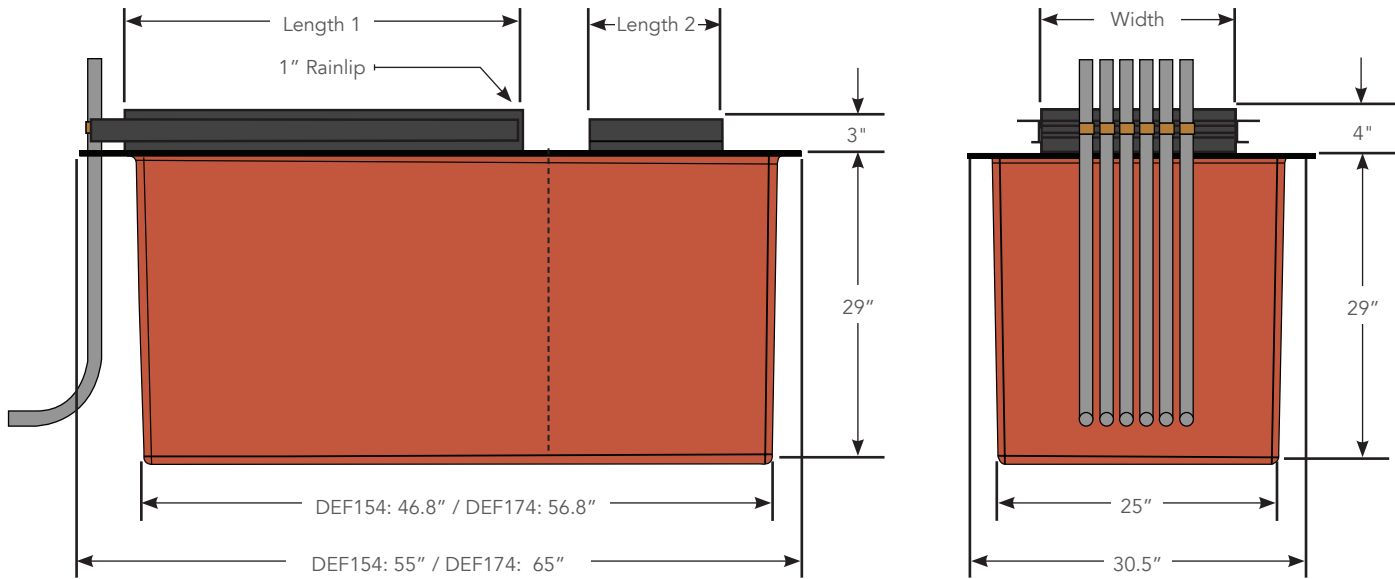


Powder Coated Shear Valve Stabilizer Assembly Kit
(Sold Separately)



OPTIONS AVAILABLE

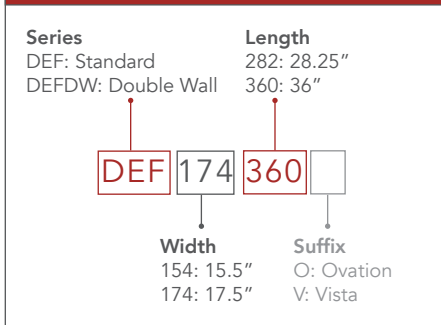




Dispenser Model	DEF Series	Stabilizer Kit	Length 1	Length 2	Width
Gilbarco Encore w/ DEF	DEF174360	SVU-L/SVA800DEF	36"	12"	17.5"
Wayne Ovation HS w/ DEF	DEF154282O	SVU-L/SVU-S	28.25"	18"	15.5"
Wayne Vista HS w/ DEF	DEF154282V	SVU-L/SVU-S	28.25"	17"	15.5"

For Double Wall Dispenser Sumps & Options, See Pages 40-41

PART NUMBER LEGEND



DOUBLE WALL OPTIONS AVAILABLE - SEE PAGES 40-41
 Available in double wall for a variety of monitoring options to satisfy local regulations and requirements. From dry fluid or fluid filled interstitial to vacuum interstice monitoring, PCI has all options to best fit your installation and compliance needs.



**DOUBLE WALL
TANK SUMPS**



PCI's Double Wall fiberglass tank sumps come in a variety of sizes and can be used with a variety of monitoring and testing options to satisfy local regulations.

INTERSTITIAL MONITORING

PCI's double wall tank sumps allow for periodic or continuous interstitial monitoring to detect liquid. Continuous monitoring eliminates the need for integrity tests.

COMPATIBLE TESTING

Our double wall tank sumps are compatible with the following testing methods:

- Dry Interstitial
- Vacuum Monitored
- Fluid Filled

VPH COMPLIANT

SHIPPED UNDER VACUUM

Double wall tank sumps are pre-tested and shipped under vacuum with the vacuum gauge installed for verification of sealed interstitial space.



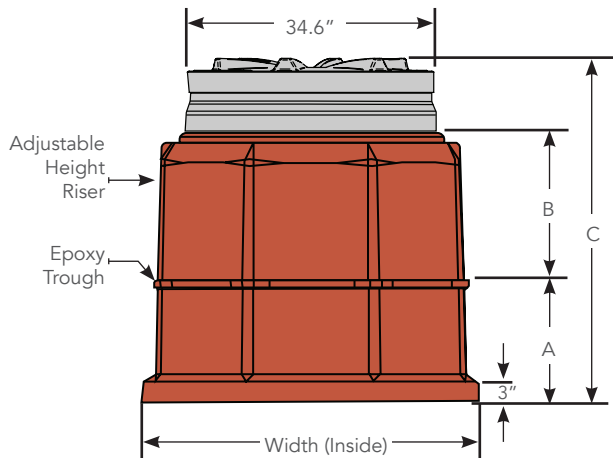
PCMDW4850



TSMDW484860

PCM DOUBLE WALL OCTAGON TANK SUMPS

NEW



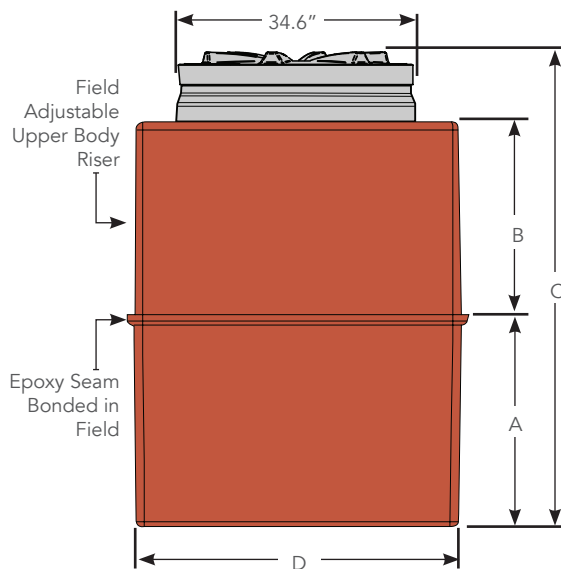
Double Wall	Collar Diameter	Base Height (A)	Adjustable Height (B)	Overall Height (C)
PCMDW4250	42"	21"	0" - 18"	32" - 50"
PCMDW4850	48"	18"	0" - 21"	29" - 50"

Options

-3C9	42" Collar Mount, (2) EF148DW Epoxy Kit & (x2) GK-42 Fiberglass Kits
-3D9	48" Collar Mount, (2) EF148DW Epoxy Kit & (x2) GK-42 Fiberglass Kits

Additional Models and Options are Available

TSM DOUBLE WALL TANK SUMPS



Double Wall Models	Base Height (A)	Adjustable Height (B)	Overall Height (C)	Width (D)
TSMDW484836B	18"	4" - 18"	32" - 46"	48"
TSMDW484848D	30"	4" - 18"	44" - 58"	48"
TSMDW606048D	30"	4" - 18"	44" - 58"	60"
TSMDW606060D	30"	4" - 30"	44" - 70"	60"
TSMDW484836BU	18"	4" - 18"	38" - 52"	48"
TSMDW484848DU	30"	4" - 18"	44" - 64"	48"
TSMDW606048DU	30"	4" - 18"	44" - 64"	60"
TSMDW606060DU	30"	4" - 30"	44" - 76"	60"

Options (Example: TSMXXXXXX-3XX)

-3B8	Solid Bottom, Includes (2) EF148DW Epoxy Kits
-3C9	Collar Mount, Includes (2) EF148DW Epoxy Kit & (x2) GK-42 Fiberglass Kits
-3D9	48" Collar Mount, Includes (2) EF148DW Epoxy Kits & (2) GK-42 Fiberglass Kits
-3E9	54" Collar Mount, Includes (2) EF148DW Epoxy Kits & (2) GK-42 Fiberglass Kits

Additional Models and Options are Available



INSPECTION PORT

Optional 4" inspection port allows quick and easy inspection without removing entire cover. IP4000-1

Additional Components (Ordered Separately)

EQP-DW-VAC	Vacuum Kit (Required for all Double Wall Sumps)
IF-5GAL	Interstitial Fluid, 5 Gallons (Required for Double Wall Sumps with Fluid Filled Interstice)
EQP-IF-ADP-UC	Interstitial Fluid Adapter Kit (Required for Double Wall Dispenser & Grade Level Transition Sumps)
EQP-IF-ADP-PC	Interstitial Fluid Adapter Kit (Required for Double Wall Tank & Below Grade Transition Sumps)
Double Wall Tank Collars	See page 17



TS SERIES GRADE LEVEL TRANSITION SUMPS



Transition Sumps are the most versatile containment sump. They can be used to transition from above ground steel pipe to underground fiberglass or flex piping for use with an AST or vent lines. They can also be used as an intermediate sump for a system low point, or to contain accessible equipment such as underground ball valves.

FORGED STEEL COUPLINGS

Forged Steel Couplings will not deteriorate or crack from UV exposure.

LARGE ACCESS OPENING

More space makes for easy installation and service

STAINLESS STEEL OPTIONS

We offer stainless steel options to best suit your installation requirements

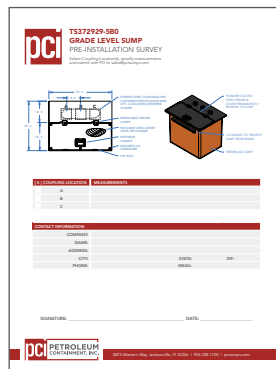
CUSTOM SIZES AVAILABLE

Various sizes and options are available to meet any job-site or customer specifications upon request.



TS372929-5B0
Utilized as a vent box or an AST transition

TS462929-4B0
For grade level in non-traffic areas



PRE-INSTALLATION SURVEY

Allows you to specify coupling locations and measurements

PART NUMBER LEGEND

Length 37: 37" Height 29: 29"

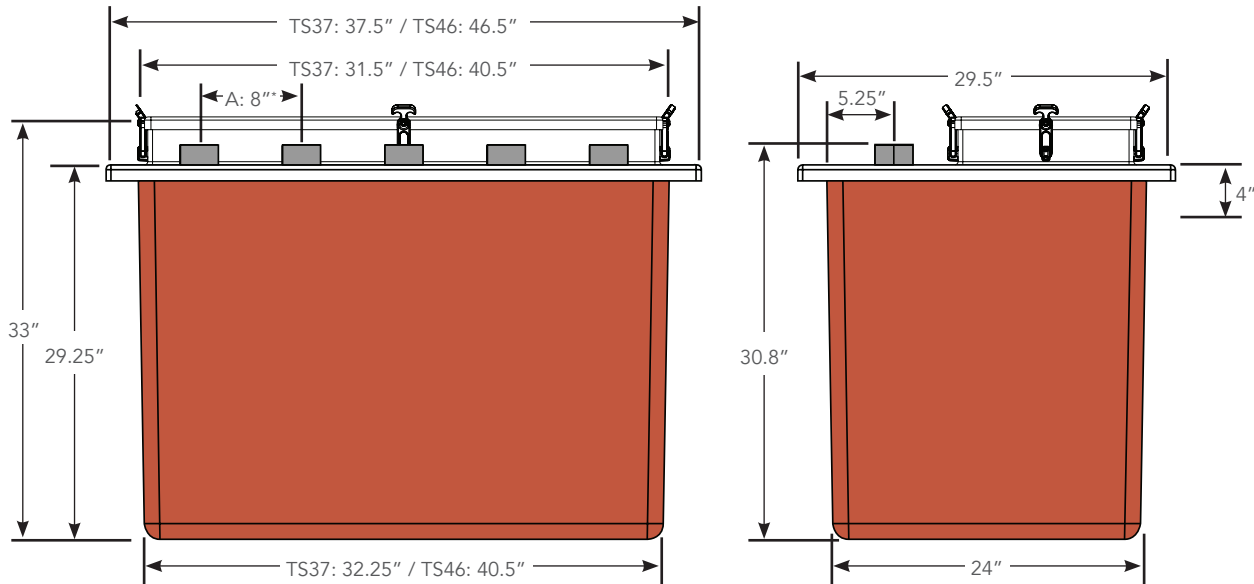
Width 29: 29"

TS 37 29 29 - 4B0

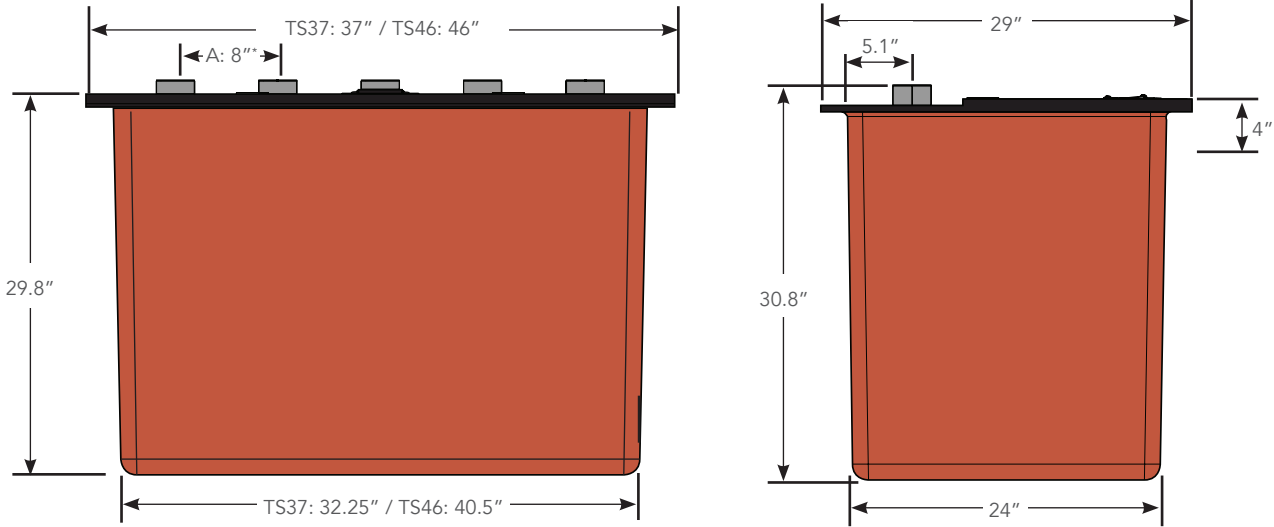
Series
TS: Standard
TSDW: Double Wall

Lid
4B0: Rain-Tite Cover
5B0: Hinged Steel Cover (Bolt-Down)
6B0: Hinged Steel Cover (Cam-Lock)

DIMENSIONS WITH -4B0 RAIN-TITE COVER



DIMENSIONS WITH -5B0 / -6B0 DIAMOND PLATE COVER



Double Wall Models	Length	Width	Height	Max. Couplings
TSDW372929	37"	29"	29"	3
TSDW462929	46"	29"	29"	5*
Options (Example: TS372929-5B0)				
-4B0	Rain-Tite Cover with Steel Couplings			
-5B0	Hinged Diamond Plate Steel Cover (Bolt-Down)			
-6B0	Hinged Diamond Plate Steel Cover (Cam-Lock)			
Additional Components (Order Separately)				
CPLG-1	1" Forged Steel Coupling			
CPLG-1SS	1" Forged Stainless Steel Coupling			
CPLG-2	2" Forged Steel Coupling			
CPLG-2SS	2" Forged Stainless Steel Coupling			
CPLG-3	3" Forged Steel Coupling			
CPLG-4	4" Forged Steel Coupling			

Vent Line Support Racks	
VLSR-96X40	8' Vent Rack for TS37
VLSR-96X48	8' Vent Rack for TS46
VLSR-MB	Brackets for Vent Rack (Set of 2)
Additional Double Wall Components (Order Separately)	
EQP-DW-VAC	Vacuum Kit (Required for all Double Wall Sumps)
IF-5GAL	Interstitial Fluid, 5 Gallons (Required for Double Wall Sumps with Fluid Filled Interstice)
EQP-IF-ADP-UC	Interstitial Fluid Adapter Kit (Required for Double Wall Dispenser & Grade Level Transition Sumps)

*Dimension A
If 5 couplings are used, spacing is 7.75"



**DOUBLE WALL
DISPENSER SUMPS**



PCI's Double Wall fiberglass dispenser sumps are available in a variety of sizes and styles to fit most all dispensers. A variety of monitoring and testing options can be selected to satisfy local regulations.

INTERSTITIAL MONITORING

PCI's double wall dispenser sumps allow for periodic or continuous interstitial monitoring to detect liquid. Continuous monitoring eliminates the need for integrity tests.

COMPATIBLE TESTING

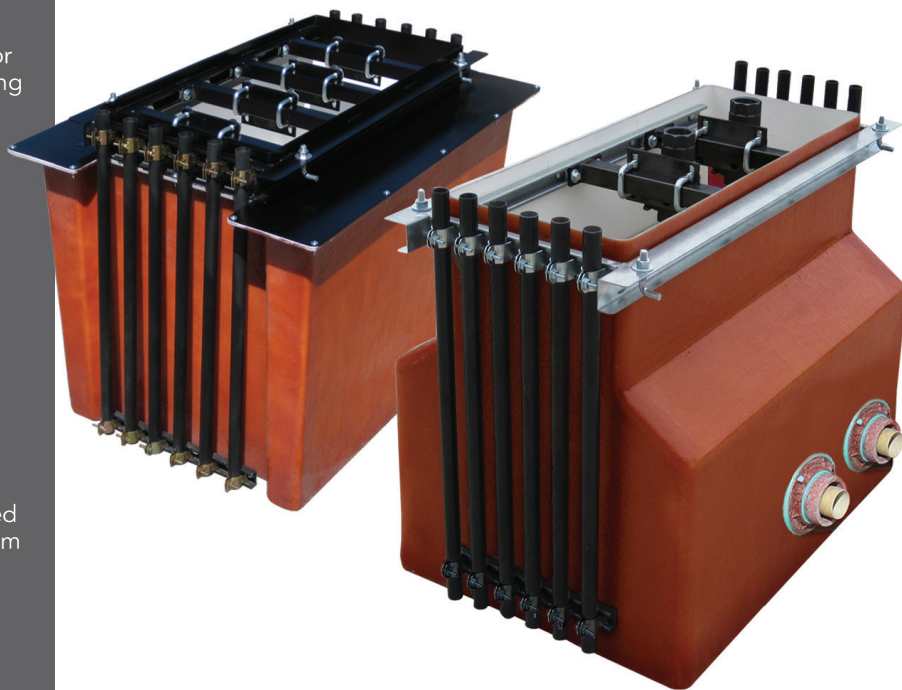
Our double wall dispenser sumps are compatible with the following testing methods:

- Dry Interstitial
- Vacuum Monitored
- Fluid Filled

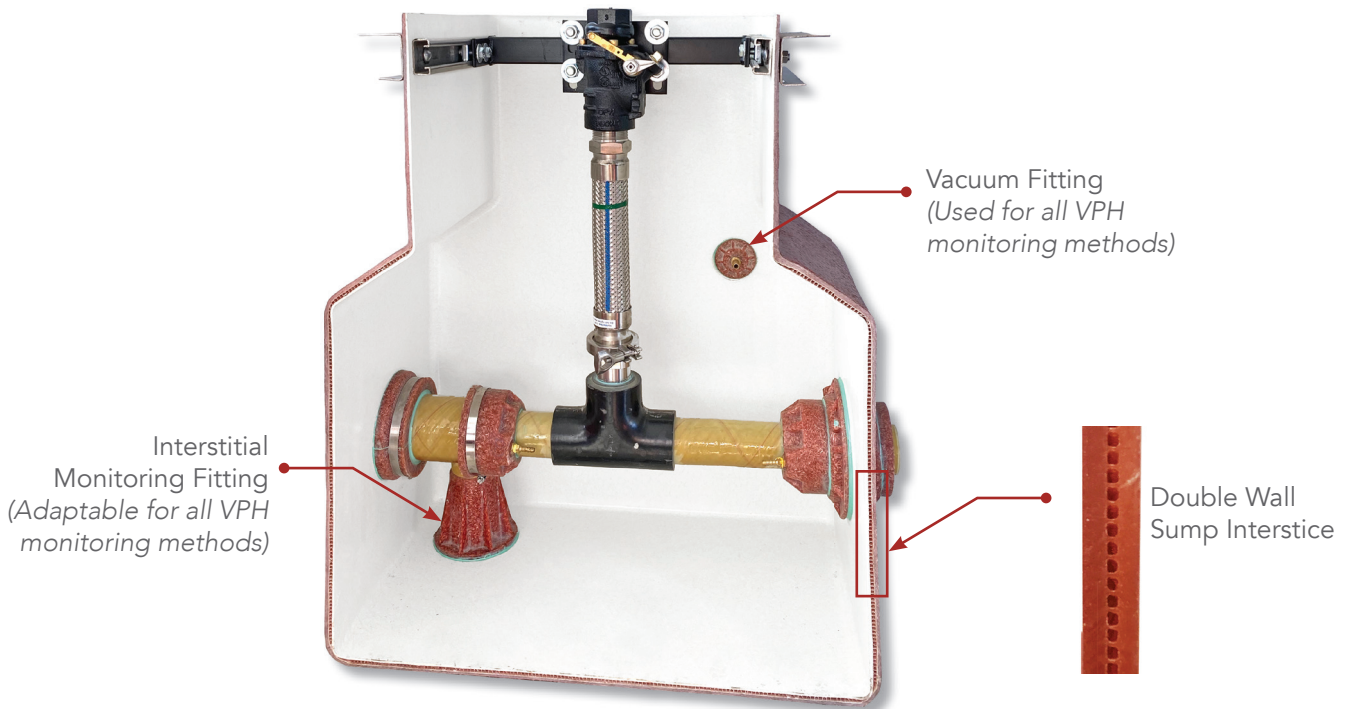
VPH COMPLIANT

SHIPPED UNDER VACUUM

Double wall dispenser sumps are pre-tested and shipped under vacuum with the vacuum gauge installed for verification of sealed interstitial space.



Interstitial Fluid Adapter Kit
EQP-IF-ADP-UC



DOUBLE WALL MODELS

See specific sump page for dimensions and more information

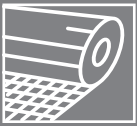
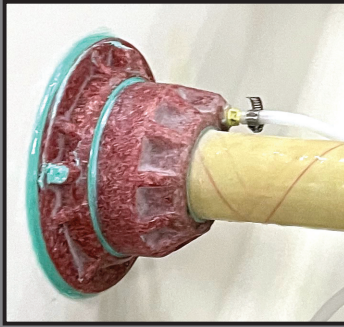
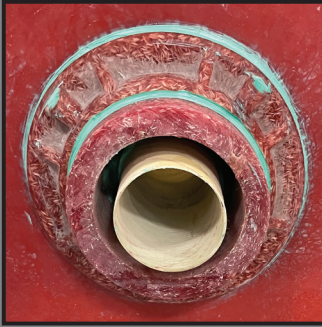
Dispenser Model	DPDW Series	RSCDW Series	CLEDW Series	DCLDW Series	DEFDW Series
Bennett Pacific	DPDW146360B	RSCDW146360B	CLEDW146390B	DCLDW146360B	-
Gilbarco Encore	DPDW174360	RSCDW174360	CLEDW174375	DCLDW174360	-
Gilbarco Encore w/ DEF	-	-	-	-	DEFDW174360
Wayne Ovation	DPDW146360	RSCDW146360	CLEDW146390	DCLDW146360	-
Wayne Ovation HS	DPDW146360HS	RSCDW146360HS	CLEDW146390HS	DCLDW146360HS	-
Wayne Ovation HS w/ DEF	-	-	-	-	DEFDW154282O
Wayne Vista (UHC) HS3, HS4	-	RSCDW154260HV	CLSDW154294	-	-
Wayne Vista w/ DEF	-	-	-	-	DEFDW154282V

Additional Components (Ordered Separately)

EQP-DW-VAC	Vacuum Kit (1 Per Site, Required for all Double Wall Sumps)
EQP-IF-5GAL	Interstitial Fluid, 5 Gallons (Required for Double Wall Sumps with Fluid Filled Interstice)
EQP-IF-ADP-PC	Interstitial Fluid Adapter Kit (1 Per Sump, Required for Double Wall Tank & Below Grade Transition Sumps with Fluid Filled Interstice)
EQP-IF-ADP-UC	Interstitial Fluid Adapter Kit (1 Per Sump, Required for Double Wall Dispenser & Grade Level Transition Sumps with Fluid Filled Interstice)

Note: Additional Models Available

FIBERGLASS PENETRATION FITTINGS



LONG-TERM SOLUTION

100% fiberglass construction provides superior strength and ensures the fitting will withstand long-term exposure to all fuels, including ethanol. These can replace rubber or plastic boots.



PERMANENT BONDING

EP2A is used to bond fittings to fiberglass and steel. It has great gap filling properties and excellent sag resistance, making it a simple and dependable bonding solution.



Clear Magic, PCI's proprietary three-part adhesive, can be used with any of our fiberglass fittings to permanently bond fiberglass to polyethylene.



FLEXIBILITY

Works with angled pipe entries up to 10° (New Construction) and 20° (Repair) for job site adaptability



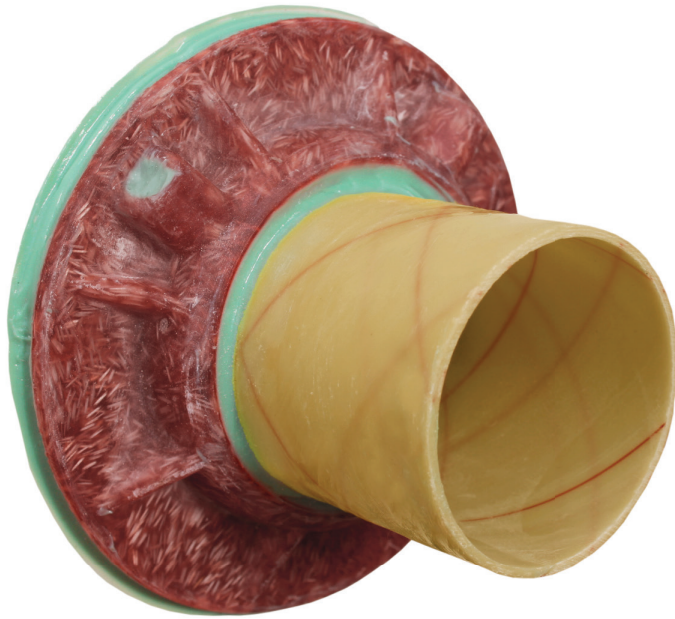
COST EFFECTIVE

PCI's penetration fittings are the most affordable fiberglass fittings on the market, with a similar cost to rubber or plastic fittings.

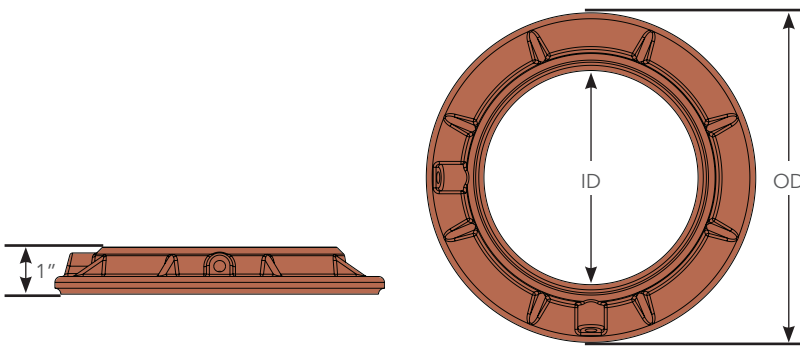


FRP SERIES FULL RING PASS-THRU NEW CONSTRUCTION

PCI's Full Ring Pass-Thru New Construction penetration fittings have a small profile and occupy little space in the sump. They are a great long-term solution for conduit and vent lines.



PF-FRP-1F-R2



10° MISALIGNMENT

Works with angled pipe entries up to 10° with greater misalignment options available.

SMALL PROFILE

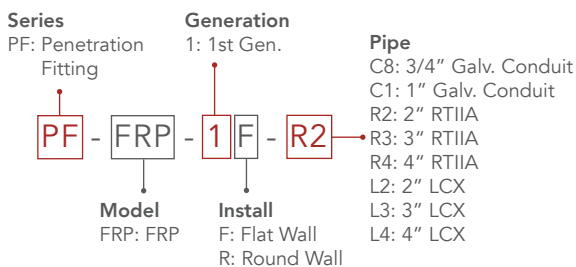
The FRP Series has a small profile and occupy little space in the already crowded sump.

DOUBLE WALL

All PCI fittings work with standard or double wall sumps.

Pipe	Flat Wall	Round Wall	ID	OD
3/4" Galv. Conduit	PF-FRP-1F-C8	PF-FRP-1R-C8	1.1"	3.5"
1" Galv. Conduit	PF-FRP-1F-C1	PF-FRP-1R-C1	1.4"	3.5"
2" RTIIA	PF-FRP-1F-R2	PF-FRP-1R-R2	2.4"	5"
3" RTIIA	PF-FRP-1F-R3	PF-FRP-1R-R3	3.6"	6"
4" RTIIA	PF-FRP-1F-R4	PF-FRP-1R-R4	4.6"	7"
2" LCX	PF-FRP-1F-L2	PF-FRP-1R-L2	2.7"	5"
3" LCX	PF-FRP-1F-L3	PF-FRP-1R-L3	3.8"	6"
4" LCX	PF-FRP-1F-L4	PF-FRP-1R-L4	4.8"	7"

PART NUMBER LEGEND





TPP SERIES TESTABLE PRIMARY PASS-THRU NEW CONSTRUCTION

The Testable Primary Pass-Thru (TPP) New Construction Penetration Fitting is an economical and long term solution. Its thick fiberglass construction ensures it will withstand the elements without deteriorating over time.

DUAL TEST PORT

The dual integrated test ports provide easy access and eliminate the need for a separate test boot, saving time, money and space.

UNIVERSAL FITTING

Designed to accommodate RTIIA and LCX pipe.

CONTAINS CONNECTIONS

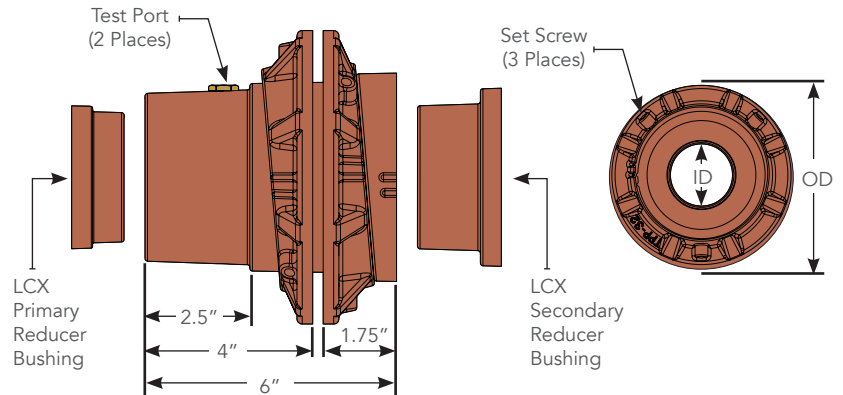
Allows all primary and secondary connections to be inside the sump, eliminating the need for any external pipe joints and offers optimal servicability and peace-of-mind.

DOUBLE WALL

All PCI fittings work with standard or double wall sumps.

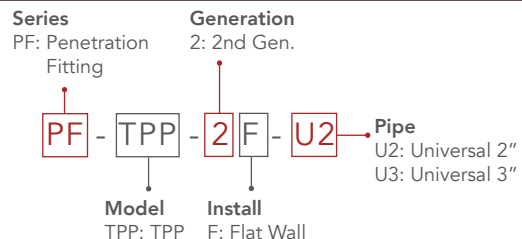


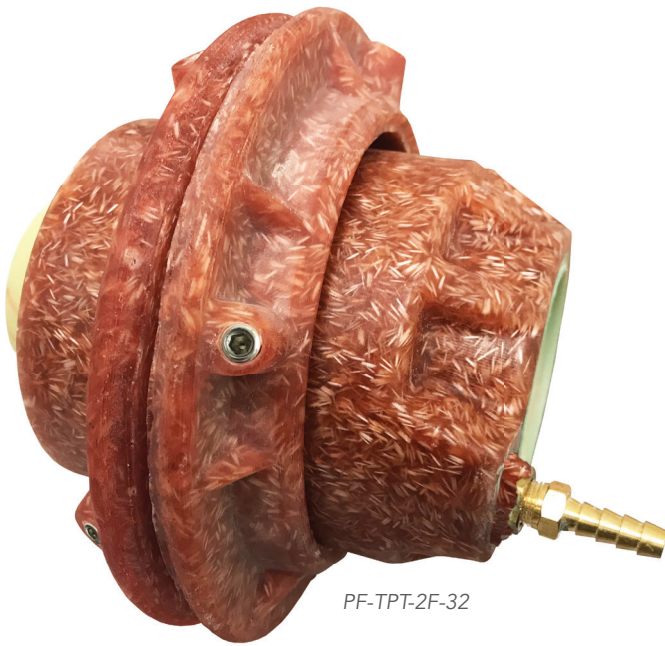
PF-TPP-2F-U2



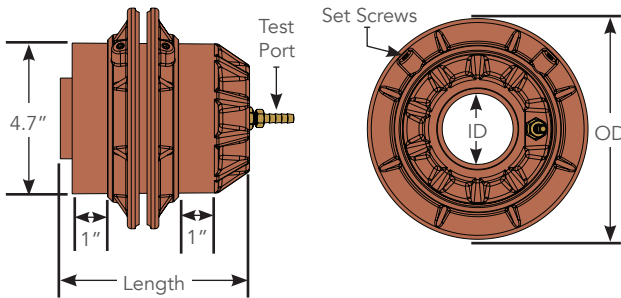
Part No.	Install	Pipe	ID	OD
PF-TPP-2F-U2	Flat Wall	2" LCX or 3" x 2" RTIIA	2.4"	7"
PF-TPP-2F-U3	Flat Wall	3" LCX or 4" x 3" RTIIA	3.6"	8"
Test Kit				
HDW-TSK-T2	Test Kit For Penetration Fitting (Includes (1) Shrader Valve And (1) Plug)			

PART NUMBER LEGEND





PF-TPT-2F-32



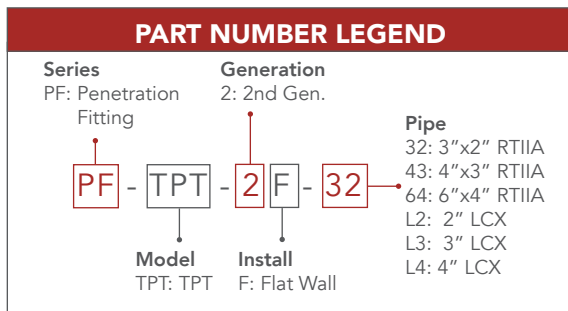
Part No.	Install	Pipe	Length	ID	OD
PF-TPT-2F-32	Flat Wall	3" x 2" RTIIA	6"	2.4"	7"
PF-TPT-2F-43	Flat Wall	4" x 3" RTIIA	6"	3.8"	7.8"
PF-TPT-2F-64	Flat Wall	6" x 4" RTIIA	8.5"	4.8"	10.8"
PF-TPT-2F-L2*	Flat Wall	2" LCX	6"	2.4"	7"
PF-TPT-2F-L3*	Flat Wall	3" LCX	6"	3.8"	7.8"
PF-TPT-2F-L4*	Flat Wall	4" LCX	8.5"	4.8"	10.8"

Test Kit

HDW-TSK-T1	Penetration Fitting Test Kit, Termination Line
------------	--



*LCX Adapter Included



**TPT SERIES
TESTABLE PRIMARY TERMINATION
NEW CONSTRUCTION**

The Testable Primary Termination New Construction Fitting brings both convenience and innovation to make installation simple and permanent.

INTEGRATED TEST PORT

The integrated test port eliminates the need for a separate test boot.

MISALIGNMENT FLEXIBILITY

Works with angled pipe entries up to 10° and allows for ±1" pipe misalignment.

DOUBLE WALL

All PCI fittings work with standard or double wall sumps.





SRB SERIES SPLIT REPAIR BAND CLAMP REPAIR

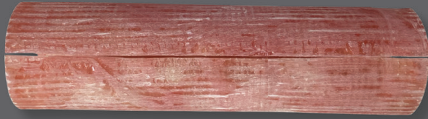
The intentional design of the SRB Repair Fittings makes repairs straight forward and allows for field modification. Comparable repair fittings from other manufacturers are twice the cost and lack the features that make the SRB easy to install.

BAND CLAMP W/ RETENTION RIM

The stainless steel band clamp holds the fitting in place and the retention rim prevents the clamp from sliding off the fitting while the epoxy cures.

FIBERGLASS SLEEVE*

A fiberglass sleeve is included with flex pipe models. This is used to bond to polyethylene with our Clear Magic adhesive to create a permanent fiberglass-to-fiberglass installation.



FIELD MODIFIABLE

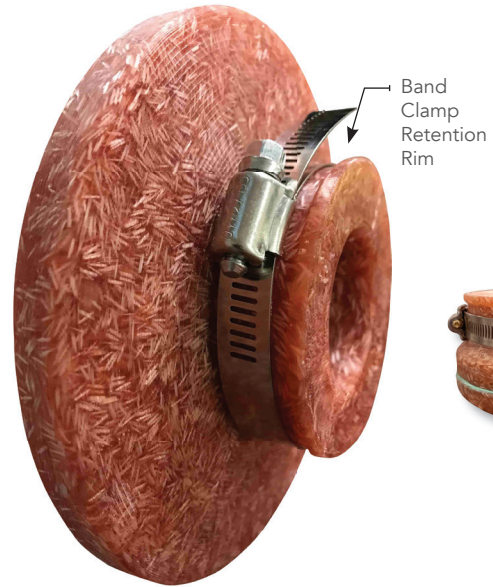
The SRB series can be modified in the field to simplify service work.

DOUBLE WALL

All PCI fittings work with standard or double wall sumps.



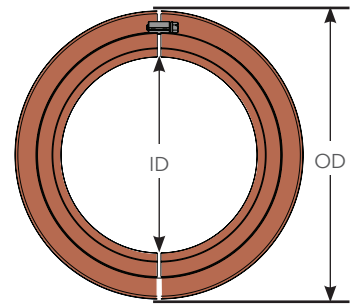
CLEARMAGIC
Three-part fiberglass adhesive



PF-SRB-1F-C8



Round Wall SRB
PF-SRB-1R-R4



Pipe	Flat Wall	Round Wall	ID	OD
3/4" Galv. Conduit	PF-SRB-1F-C8	PF-SRB-1R-C8	1.1"	6"
1" Galv. Conduit	PF-SRB-1F-C1	PF-SRB-1R-C1	1.4"	6"
2" RTIIA	PF-SRB-1F-R2	PF-SRB-1R-R2	2.4"	6"
3" RTIIA	PF-SRB-1F-R3	PF-SRB-1R-R3	3.6"	6"
4" RTIIA	PF-SRB-1F-R4	PF-SRB-1R-R4	4.8"	7"
2" LCX	PF-SRB-1F-L2	PF-SRB-1R-L2	2.7"	6"
3" LCX	PF-SRB-1F-L3	PF-SRB-1R-L3	3.8"	6"
4" LCX	PF-SRB-1F-L4	PF-SRB-1R-L4	4.6"	7"
1.5" O.D. Flex Pipe	PF-SRB-1F-P15*	PF-SRB-1R-P15*	1.7"	6"
2" O.D. Flex Pipe	PF-SRB-1F-P20*	PF-SRB-1R-P20*	2.2"	6"
2.5" O.D. Flex Pipe	PF-SRB-1F-P25*	PF-SRB-1R-P25*	2.7"	6"

*Flex Pipe SRB Models include the Fiberglass Sleeve to Bond Fiberglass to Polyethylene

PART NUMBER LEGEND

Series	Generation	Pipe
PF: Penetration Fitting	1: 1st Gen.	C8: 3/4" Galv. Conduit
		C1: 1" Galv. Conduit
		R2: 2" RTIIA
		R3: 3" RTIIA
		R4: 4" RTIIA
		L2: 2" LCX
		L3: 3" LCX
		L4: 4" LCX
		P15: 1.5" O.D. Flex Pipe
		P20: 2" O.D. Flex Pipe
		P25: 2.5" O.D. Flex Pipe



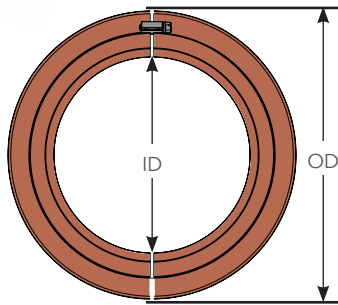
NEW

SRB SERIES - OVERSIZED SPLIT REPAIR BAND CLAMP REPAIR

The intentional design of the SRB Repair Fittings makes repairs straight forward and allows for field modification. The oversized model is designed to eliminate the need to pair the SRB with our BSO fitting.



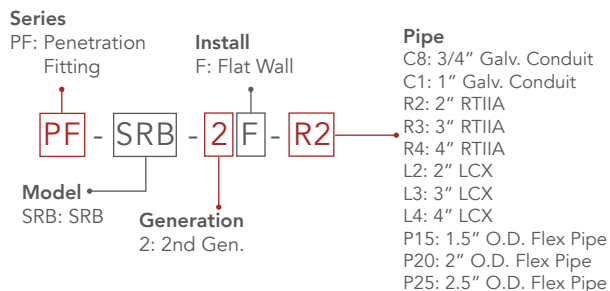
PF-SRB-2F-L2



Pipe	Flat Wall	ID	OD
3/4" Galv. Conduit	PF-SRB-2F-C8	1.1"	8"
1" Galv. Conduit	PF-SRB-2F-C1	1.4"	8"
2" RTIIA	PF-SRB-2F-R2	2.4"	8"
3" RTIIA	PF-SRB-2F-R3	3.6"	8"
4" RTIIA	PF-SRB-2F-R4	4.8"	8"
2" LCX	PF-SRB-2F-L2	2.7"	8"
3" LCX	PF-SRB-2F-L3	3.8"	8"
4" LCX	PF-SRB-2F-L4	4.6"	8"
1.5" O.D. Flex Pipe	PF-SRB-2F-P15*	1.7"	8"
2" O.D. Flex Pipe	PF-SRB-2F-P20*	2.2"	8"
2.5" O.D. Flex Pipe	PF-SRB-2F-P25*	2.7"	8"

*Flex Pipe SRB Models include the Fiberglass Sleeve to Bond Fiberglass to Polyethylene

PART NUMBER LEGEND

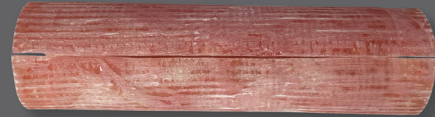


BAND CLAMP W/ RETENTION RIM

The stainless steel band clamp holds the fitting in place and the retention rim prevents the clamp from sliding off the fitting while the epoxy cures.

FIBERGLASS SLEEVE*

A fiberglass sleeve is included with flex pipe models. This is used to bond to polyethylene with our Clear Magic adhesive to create a permanent fiberglass-to-fiberglass installation.



FIELD MODIFIABLE

The SRB series can be modified in the field to simplify service work.

DOUBLE WALL

All PCI fittings work with standard or double wall sumps.



CLEARMAGIC
Three-part fiberglass adhesive





BSO SERIES BOLT STAND-OFF REPAIR

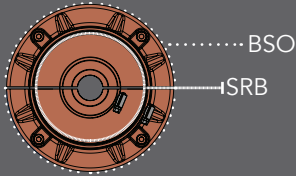
The Bolt Stand Off Repair Penetration Fittings seal to the sump wall around damaged fittings and a clean section of pipe inside the sump to create a watertight repair.

LEAVE EXISTING FITTINGS

The BSO encapsulates existing penetration fittings and seals around them.

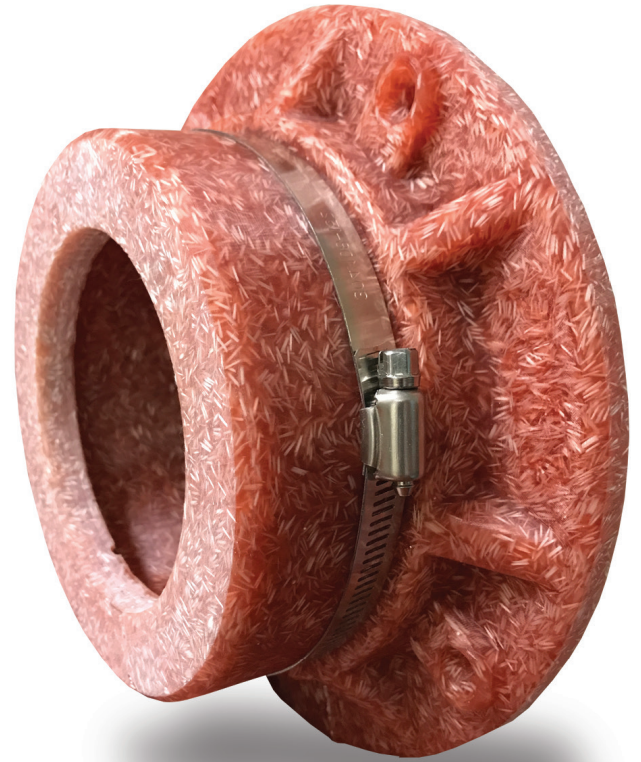
UNIVERSAL FIT

Two sizes of the BSO are available to be used in conjunction with any of the SRB Series for split repairs.

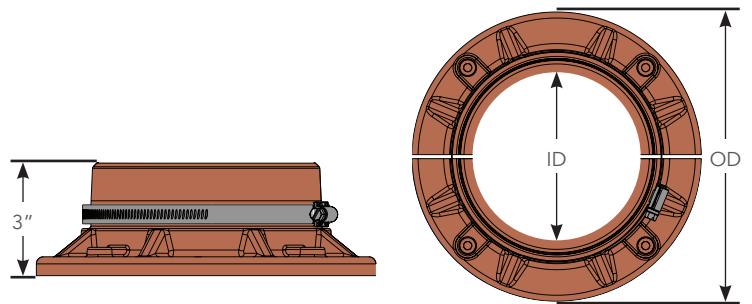


DOUBLE WALL

All PCI fittings work with standard or double wall sumps.

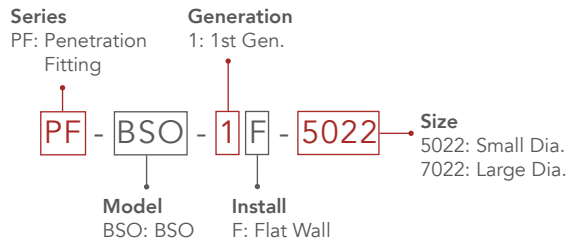


PF-BSO-1F-5022



Part No.	Install	ID	OD
PF-BSO-1F-5022	Small Diameter Flex Pipe / Conduit	5.2"	9"
PF-BSO-1F-7022	Large Diameter Flex Pipe / Rigid Pipe	7.2"	11"

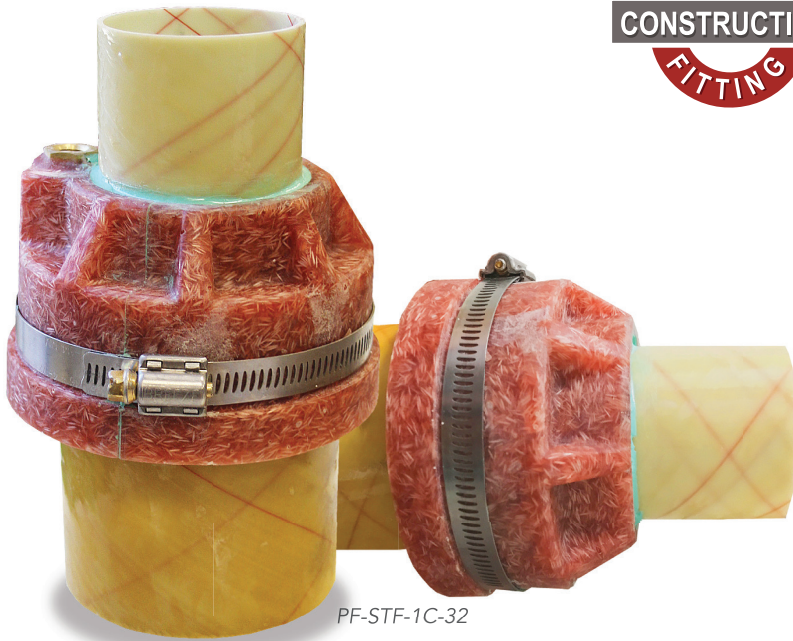
PART NUMBER LEGEND



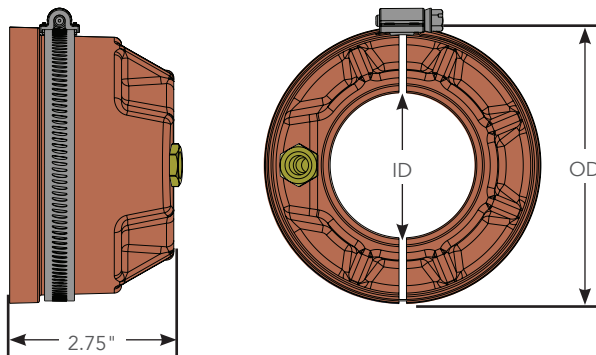


STF SERIES SPLIT TEST FITTING REPAIR / NEW CONSTRUCTION

The STF Fittings are available for new construction or to replace damaged or deteriorated rubber test fittings.

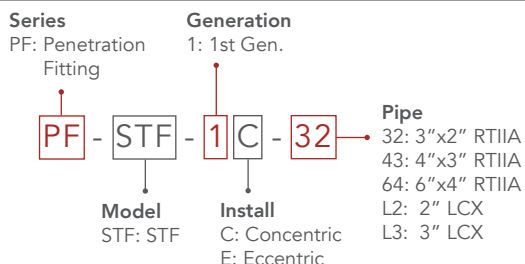


PF-STF-1C-32



Pipe	Part No.	ID	OD
3" x 2" RTIIA	PF-STF-1C-32	2.4"	3.6"
4" x 3" RTIIA	PF-STF-1C-43	3.6"	4.6"
6" x 4" RTIIA	PF-STF-1C-64	4.6"	7.6"
2" LCX	PF-STF-1C-L2	2.4"	2.7"
3" LCX	PF-STF-1C-L3	3.6"	3.9"
4" LCX	PF-STF-1C-L4	4.6"	5.6"

PART NUMBER LEGEND



MANY PIPE SIZES
Available for size over size and LCX piping.

LEAVE IN PLACE
STF Fittings leave the secondary piping open, unlike other options which must be removed after testing.

VERSATILE INSTALLATION
STF Series fittings can be used to test secondary piping in both new construction and repair applications.

DOUBLE WALL
All PCI fittings work with standard or double wall sumps.





EP2A ADHESIVE KITS EPOXY BONDING

EP2A is a two-part epoxy used for installing penetration fittings. Due to its thickened consistency, it has great gap filling properties and excellent sag resistance on vertical surfaces, making penetration fitting installation simple and dependable.

FEATURES

- Bonds to fiberglass and steel
- Easily fills gaps over 1/4"
- Won't sag on vertical surfaces
- 18-month shelf life
- No need for refrigeration
- Cures below 40°
- Excellent fuel resistance
- Year-round optimal working time
- Available in one-time use 6oz tubs or multiple use 450mL cartridges



Part No.	Description
EP2A-6OZ	6oz Jar Kit
EP2A-450*	450mL Cartridge Kit
EQP-EP450	Applicator Gun for 450mL Cartridge

* Applicator gun is required for the cartridge.

CLEAR MAGIC BONDS FIBERGLASS TO POLYETHYLENE

Clear Magic is a 3-part adhesive that has become the industry standard for difficult repairs on polyethylene sumps and piping. With its unique design, Clear Magic bonds permanently to HDPE and has excellent chemical resistance.

FEATURES

- Permanently bonds to polyethylene sumps and piping
- Great gap filling and sag resistance
- Excellent chemical resistance
- Includes easy-to-use applicator and spray bottle
- When used with PCI fiberglass repair products, polyethylene sumps can be made watertight



Part No.	Description
ADH-CM300G	Clear Magic, Poly Adhesive, 300g Tube
ADH-CM300G-K	Clear Magic, Poly Adhesive, 300g Kit (Promoter / Accelerator)

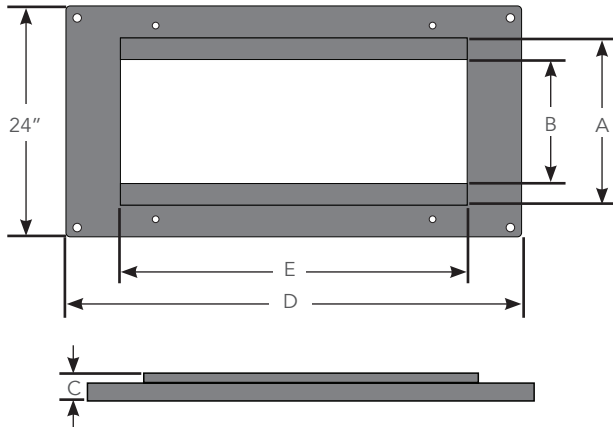


CLEARMAGIC
Three-part fiberglass adhesive



DISPENSER CONVERSION FRAMES & PLATES

Our dispenser conversion frames and plates are a great solution for dispenser upgrades without having to replace any underground equipment.



HEAVY-DUTY DESIGN
Manufactured from heavy gauge steel and powder coated for improved corrosion resistance.

STANDARD SIZES
PCI offers conversion frames to fit most dispenser frames currently available.

CUSTOMIZABLE
Stainless steel and unique sizes are available to best suit your needs. Contact us for a quote.

Dispenser Model	Part No.	Width A	Width B	Height C	Length D	Length E
Conversion Frames						
Gilbarco Encore	CFR174001	17.5"	13"	3"	48"	36"
Wayne Ovation	CFR146001	14.5"	9.5"	3"	48"	42"
Conversion Plates*						
Gilbarco Encore	CPT174001	17.5"	13"	1"	47"	36"
Wayne Ovation	CPT146001	14.75"	14.75"	1"	47.5"	42"
Replacement Hardware						
HDW-CFA-4PK	Conversion Frame / Plate Anchoring Hardware - 4 Pack					
* CPT Series Conversion Plates may require modification of existing sump frame.						

PART NUMBER LEGEND

Series
CFR: Conversion Frame
CPT: Conversion Plate

CFR 174 001 → Series

Rain Lip Width
146: 14.75"
174: 17.5"

ADDITIONAL MODELS AND OPTIONS AVAILABLE CONTACT US FOR MORE INFORMATION

DISTRIBUTOR INFORMATION

Distributor: _____
Contact: _____ Phone: () _____

CURRENT SUMP

If sump is not PCI, what is the make / model _____

Shallow Pan | Deep Sump | Quantity _____

Number of existing anchor bolts: _____

Does the existing sump have a rain lip? Yes | No
If yes, how tall is the lip? _____

RAIN LIP DIMENSIONS

Length: X inches ± .125"
Width: Y inches ± .125"

NEW DISPENSER

Dispenser Manufacturer: _____
Dispenser Model: _____

INCLUDE ONLY

Sales Order No.: _____
Existing No.: _____
New No.: _____

Observations: _____

FOR ASSISTANCE PLEASE CONTACT US: 904.358.1700

CONVERSION FRAME SURVEY

The conversion frame survey is used to ensure a proper fit with the dispenser and sump in the field to eliminate any installation issues.

Required Information:

- Sump Make & Model, Burial Type, Existing Anchor Bolts, Rain Lip Height
- Rain Lip Opening ID (Length & Width)
- Dispenser Make & Model



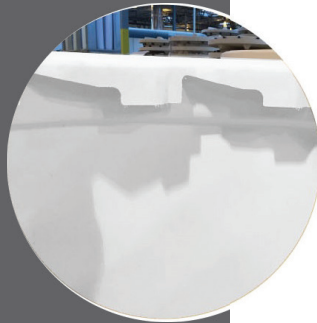


TWIST-LOK LIDS THE 12-POINT ACCESS COVER

PCI's innovative Twist-Lok access covers have set the standard in quality and watertight dependability. With a simple twist, you can be sure your sumps will be watertight every time.

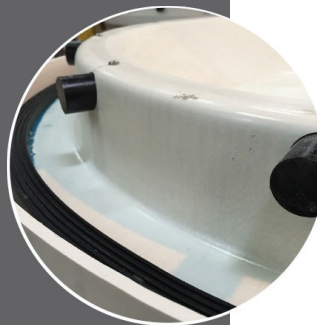
HARD STOP

Never over tighten,
Easy to remove.
Watertight.



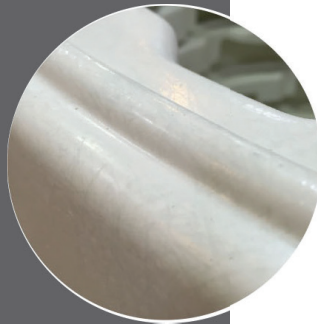
12-POINTS

12 points of contact for
a true watertight sealing
surface.



RAISED SURFACE

Raised rounded surface
keeps dirt and debris from
interfering with a true seal
between the lid and collar.



INJECTION MOLDED FIBERGLASS CONSTRUCTION



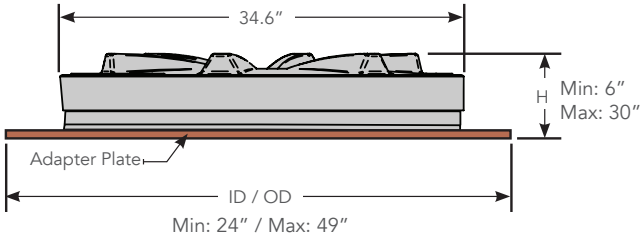
INSPECTION PORT

Optional 4" inspection port allows quick and easy inspection without removing entire cover.
IP4000-1



TWIST-LOK LID RETRO-FIT KITS

PCI's watertight Twist-Lok lids are available to retrofit onto any existing poly or fiberglass sump. They are a simple solution to permanently repair leaking sumps without breaking concrete.



Part No.	Description
Polyethylene Tank Sumps	
12PLS-1P	Includes Clear Magic Poly Adhesive
Fiberglass Tank Sumps	
12PLS-1E	Includes Epoxy Bonding Kit
12PLS-1G	Includes Fiberglass Seam Kit w/ Adapter Plate
12PLS-1F**	Includes Fiberglass Adhesive w/ Adapter Plate
12PLS-1N	No Bonding Kit, Adapter Plate Included
12PLS-1U	Universal Twist-Lok Retrofit Kit for Fiberglass Sump, Includes Epoxy Bonding Kit and Fiberglass Adapter Plate – Customizable in Field
12PLS-1X	No Bonding Kit, Adapter Plate Not Included

** Requires an adhesive applicator (Sold Separately).

FIX LEAKING SUMP LIDS WITHOUT BREAKING CONCRETE

Installs through a 36" opening to permanently repair or raise sump lids without breaking concrete.*

NO HARDWARE

No tools required for lid removal and installation.

WATER-TIGHT REPAIR

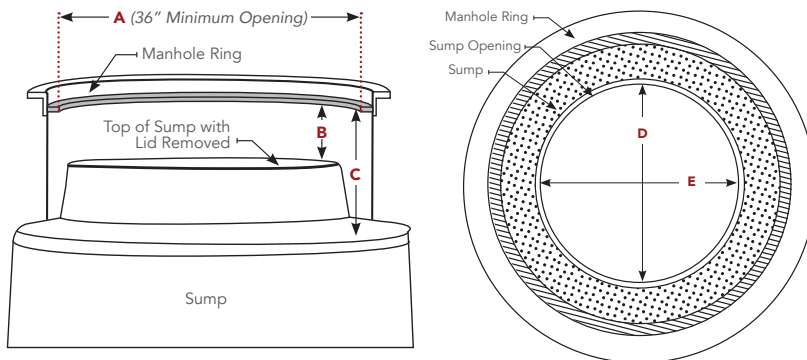
PCI's 12-point locking system creates a water-tight seal every time with one simple twist.

VERSATILE

Available for polyethylene or fiberglass sumps.



* Requires an existing 38" or larger manhole



5 MEASUREMENTS FOR A TWIST-LOK RETROFIT LID

- **A:** Interior Diameter of Manhole Ring - 36" Min.
- **B:** Bottom of Manhole Cover to Top of Sump Riser - 8" Min.
- **C:** Bottom of Manhole Cover to Top of Canopy - 8" Min.
- **D:** ID of Sump Opening (Position 1)
- **E:** ID of Sump Opening (Position 2)

RETROFIT KIT SURVEY

Required with every order to ensure the lid is built to the correct specs without needing to break concrete.



BONDING KITS & REPLACEMENT PARTS



12PLS-2



E148CM
E142CM
E154CM

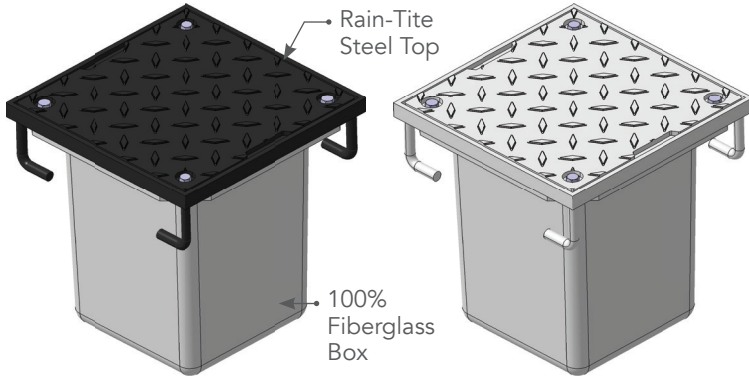
Replacement Access Covers		Bonding Kit Cure Times**			
		65°F		95°F	
		Gel Time	Cure Time	Gel Time	Cure Time
12PLS-2	12-Point Twist-Lok Lid Replacement				
AC-3308BD	8-Lug Bolt-Down Cover				
Access Cover Accessories					
IP4000-1	4" Inspection Port (Installed when ordered with lid)				
DL4OZ	Dry Lubricant for PCI Twist-Lok Access Covers				
DL4OZ6PK	Dry Lubricant for PCI Twist-Lok Access Covers (6 Pack)				
12PLS-14	Replacement Gasket for 12-Point Twist-Lok Lid				
Sealants					
BOSTIK	Bostik Fast-Set Black (Each)				
BOSTIKCS	Bostik Fast-Set Black (Case)				
Fiberglass Bonding Kits					
GK-42	Fiberglass Kit for 42" Dia (Resin, Hardener, Mat, Gelcoat)				
GK-55	Fiberglass Kit for 55" Dia (Resin, Hardener, Mat, Gelcoat)	1 Hr.	4 Hrs.	30 Mins.	1 Hr.
GK-55TS	Fiberglass Kit for 55" Dia (Resin, Hardener, Mat, Gelcoat, Putty)				
Epoxy Bonding Kits					
E132AR	Epoxy Bonding Kit (1 Quart)				
E142CM	Epoxy Bonding Kit (1/2 Gallon)	10 Mins.	2 Hrs.	10 Mins.	45 Mins.
E148CM	Epoxy Bonding Kit (3/4 Gallon)				
E154CM	Epoxy Bonding Kit (1 Gallon)				
Penetrating Fitting Adhesive and Applicator					
EP2A-6OZ	Penetration Fitting Adhesive (6oz Jar)				
EP2A-450*	Penetration Fitting Adhesive (450mL Cartridge)	25 Mins.	2 Hrs.	10 Mins.	45 Mins.
EQP-EP450	Adhesive Applicator for 450mL Cartridges				
Retro-Fit Kit Adhesives and Applicators					
ADH-CM300G	Clear Magic, Poly Adhesive, 300g Tube	30 Sec.	24 Hrs.	30 Sec.	24 Hrs.
ADH-CM300G-K	Clear Magic, Poly Adhesive, 300g Kit (Promoter / Accelerator)				
ADH-FG50ML*	Petro-Weld Fiberglass Adhesive (2 - 50mL Cartridges)	10 Mins.	45 Mins.	10 Mins.	20 Mins.
ADH-FG490ML*	Petro-Weld Fiberglass Adhesive (490mL Cartridges)				
EQP-50ML11DMA	Adhesive Applicator for ADH-FG50ML				
EQP-490ML101	Adhesive Applicator for ADH-FG490ML				

**Cure times are approximate estimations and may vary based humidity

*Requires Applicator

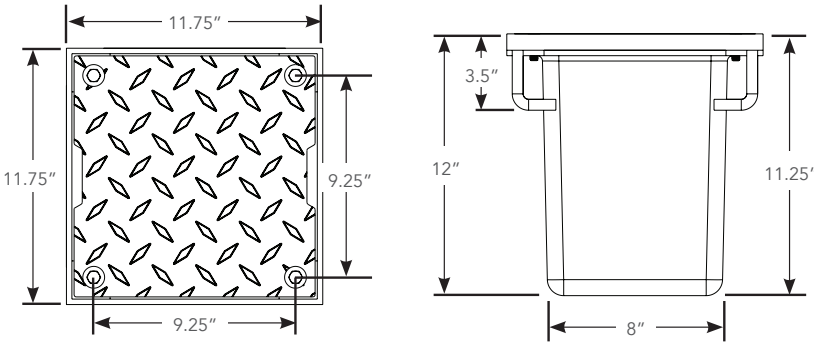
FUTURE PROOF YOUR FORECOURT WITH PCI'S EV EXPANSION BOXES

PCI prepares you for tomorrow, even if you're not ready to implement EV today.



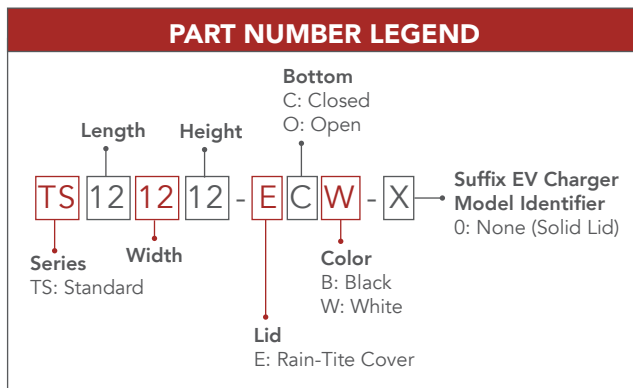
TS121212-ECB-0

TS121212-ECW-0



Part No.	Description
TS121212-EOB-0	EV Expansion Box with Open Bottom, Black, Solid Top
TS121212-ECB-0	EV Expansion Box with Water-Tight Closed Bottom, Black, Solid Top
TS121212-EOW-0	EV Expansion Box with Open Bottom, White, Solid Top
TS121212-ECW-0	EV Expansion Box with Water-Tight Closed Bottom, White, Solid Top

Additional Models Available



UNIVERSAL BOX

The 12"x12" universal box is designed to fit most all chargers.

INTERCHANGEABLE STEEL TOPS

The universal box has interchangeable top options to fit the footprint of whatever charger you install.

100% FIBERGLASS CONSTRUCTION

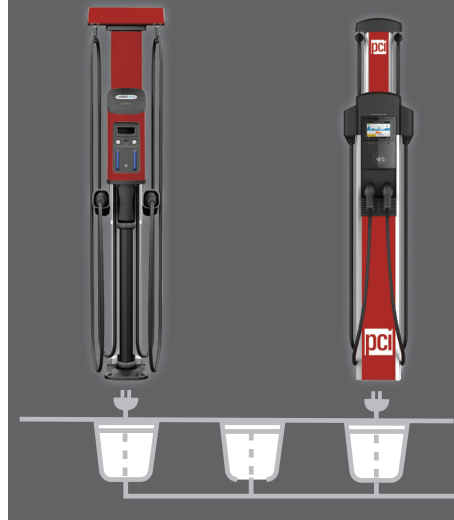
100% high quality, non-corrosive fiberglass provides long-term reliable containment without voiding warranty, warping, cracking or becoming brittle.

WATER-TIGHT OPTIONS

EV Expansion boxes are available with open bottoms or with water-tight closed bottoms.

ADDITIONAL MODELS AVAILABLE

Contact PCI for additional models or information.





NOTICE OF RIGHTS AND RESERVATIONS

All of the information contained in this literature is accurate and valid at the time this was printed. PCI reserves the right to change or modify any and all information including, but not limited to pricing, model numbers, availability and any other changes it sees fit without written notice. It is recommended to contact PCI or an authorized representative before quoting any of the products listed in this literature.

Rev 2/23



WARRANTY



INSTAGRAM

@PCISumps



FACEBOOK

/PCISumps



LINKEDIN

/Petroleum-Containment-Inc

